

SARGENT®

ASSA ABLOY

Keso F1

High Security
Cylinders



Specification

Keso F1 High Security Cylinders



Table of Contents

- Features, Benefits and Applications 1
- Mortise Type Cylinders 2
- Rim Type Cylinders 3
- Key-In-Knob/Lever Cylinders 4
- Removable Cores/Construction Keying and General Information 5
- Padlocks, Utility Locks and Switch Locks 6
- UL437 Keso F1 Security System Cylinders 7
- Cams for Keso F1 and Keso Security Cylinders 8
- Field Maintenance, Keso F1 and Keso Service Center and Shipping Schedules 9
- How To Order 10

SARGENT Keso F1- Security System

The Proprietary Key System

The system offers the building owner full control over duplication of keys, highly pick-resistant cylinders, expanded levels of masterkeying and many more safe day key changes. The SARGENT Keso F1 Security System is available for all SARGENT mortise locks,

key-in-knob 8 Line, 9 Line, key-in lever 10 Line, 11 Line, 80 Series and 90 Series exit devices. Removable core and construction core cylinders are included in the system as well. Non-removable core mortise and rim cylinders are available in a UL437 version.



Patent pending and/or patent www.assaabloydss.com/patents

SARGENT will continue to offer and support the original Keso cylinder and keys, but we encourage users to easily upgrade their systems by integrating Keso F1 into their system. The Keso F1 is an enhanced and patented version of the original Keso. All SARGENT products offered with the Keso F1 are still available with the original Keso cylinders and keys. To order the original Keso, simply leave off the F1- prefix, as specified in this catalog.

Special Note: The Keso F1 keys will operate Keso F1 cylinders and existing Keso cylinders, but existing Keso keys will NOT operate F1 cylinders.

Copyright © 2004–2005, 2007–2009–2017, Sargent Manufacturing Company, an ASSA ABLOY Group company. All rights reserved. Reproduction in whole or in part without the express written permission of Sargent Manufacturing Company is prohibited.

On The Cover

- Keso F1 4271 in 32D UL listed mortise cylinder

Features, Benefits and Applications

Keso F1 High Security Cylinders

Features and Benefits

The SARGENT Keso F1 Security System offers the building owner full control over field duplication of keys, highly pick-resistant cylinders, expanded levels of master keying and a proprietary patented key system. With the Keso F1 cylinder, it is impossible to determine the configuration of the key system or its upper level master keys by examining the pinning configuration, providing the highest level of key system security available on the market today!

The Keso F1 cylinders incorporate the same unique 12 pins as in the time-proven Keso product line along with advanced patented features. These features are compatible with existing Keso key systems. Existing Keso users can integrate F1 products into their systems in order to regain control of master keying quickly and effectively.

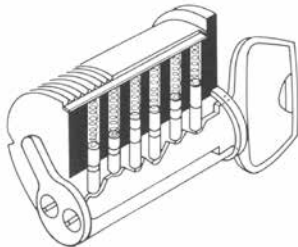
F1 keys will operate existing Keso cylinders, but existing Keso keys will not operate Keso F1 cylinders.

The Keso F1 cylinder has 12 pins located in 3 rows on 3 intersecting axes, making it virtually impossible to gain access through manipulation. The position of the pin holes and the length of the pins in each row vary. While maintaining the 3 banks of pins, the Keso F1 product adds an additional dimpling dimension to the key blank offering a greater range of both change and master key combinations. This greatly expands master keying capabilities to both new and existing end users.

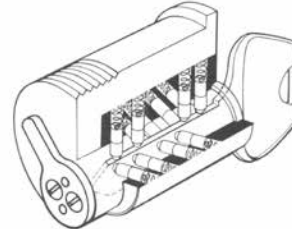
The F1 key is symmetrical and reversible. The dimpled key requires sophisticated key-cutting equipment. The unique 6-sided F1 key is not warded or cut away and therefore much stronger than a conventional key. This makes it an ideal choice for highly abusive applications. Each keying system has its own unique combination of key pin lengths and positions. There is never a chance of one keying system duplicating another.

Keso F1 UL437 versions provide a maximum level of pick and drill resistance. Perfect for any high abuse application that requires strict key control and resistance to vandalism. UL437 versions are available for mortise and rim cylinders.

Conventional Cylinder



Keso F1 Cylinder



<p>Strength & Durability</p> <ul style="list-style-type: none"> • Cylinder has 12 pins unlike most cylinders with only 6 pins • Unique 6-sided dimpled key is much stronger than warded keys • Precise manufacturing and the absence of splits makes the cylinder highly pick-resistant <p>Convenience</p> <ul style="list-style-type: none"> • Compatible with existing non-patented Keso key systems • UL 437 version available for mortise and rim cylinders • Key is symmetrical and reversible • Removable core versions available • Temporary Construction core available 	<p>Flexibility</p> <ul style="list-style-type: none"> • Up to 7 levels of master keying available • 100,000 different key pin patterns available within any one installation • Keso F1 cylinders can be retrofitted to original Keso cylinders • Keso F1 key will operate existing old style Keso cylinders <p>Security</p> <ul style="list-style-type: none"> • Patented protection for both key and cylinder • F1 keys can not be legally duplicated • Owners' authorization required for any F1 keys/locks • Pick resistance • Impossible to determine configuration key system by examining pinning configuration • Every key stamped with the key system registration # and with key # • Keysets also optionally available to be stamped on keys 	<p>Applications</p> <ul style="list-style-type: none"> • Government Buildings • Police Stations • Hospitals • Schools • Colleges • Detention Centers • Psychiatric Wards • Any high abuse application that requires strict key control and resistance to vandalism
---	--	---

Mortise Type Cylinders

Keso F1 High Security Cylinders

Mortise Type Cylinders

F1-70 Series Mortise Type Cylinders



Brass, bronze and stainless steel
Finishes: 3, 4, 9, 10, 10B, 10BE, 10BL, 20D, 32, 32D

Furnished standard with No. 97 cylinder rosette when ordered less hardware

Hotel or 50 function: Mortise locks require a 50 Function cylinder and a 50 Function cam (115 Cam). The cylinders for the hotel/50 function mortise locks are specified with a 115 cam suffix

Optional short cams (105 cam) are required for the inside cylinder of 16 and 92 function Mortise locks and are specified with a 105 cam suffix

When no cam is specified, the SARGENT standard offset cam (p/n 13-2563) will be supplied. (See page 8 for cam options)

- To order with hardware, specify F1-82-
- Example: F1-82-8243 x LNL 32D

Note: Use a 50 function to designate a mortise lock hotel function

F1-170 Series Removable Core Mortise Type Cylinders



Brass, bronze and stainless steel
Finishes: 3, 4, 9, 10, 10B, 10BE, 10BL, 20D, 32, 32D

Core supplied in either 4 or 26D finish. Furnished standard with No. 97 cylinder rosette when ordered less hardware

A different, shorter #105 cam (p/n 13-2522) is required for the inside cylinder of 16 and 92 function Mortise locks. Inside cylinders, when ordered without hardware, for 78/8216 & 92 functions are to be specified with the 105 Suffix

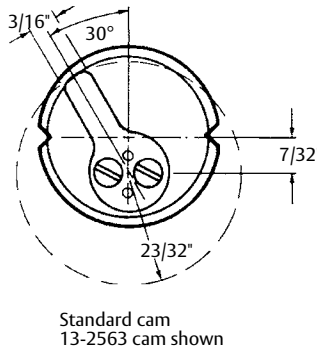
Removable core cylinders are not available for hotel function Mortise locks (50 Function). When no cam is specified, the SARGENT offset cam (p/n 13-2563) will be supplied

The cam is directly attached to the core. Only SARGENT standard offset cams (13-2563), 78/8216 function inside 105 cam (13-2522) and ADAMS RITE 101 cam (13-2521) are available on the removable core series

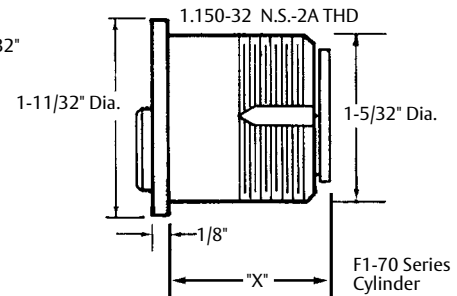
- To order with hardware, specify F1-83-
- Example: F1-83-8205 x LNJ 32D

How to Order Keso F1 Mortise Cylinders

Mortise Cylinder Lengths	Keso F1 Mortise Cylinder with a Standard Cam	50 Function Keso F1 Cylinders with a Hotel Cam (70-115 Cam)	Keso F1 I/S Cylinder for 78/8216 & 92 Functions with a 105 Cam
1-1/8"	F1-82-71	N/A	F1-82-71-105
1-1/4"	F1-82-72	F1-82-72-115	F1-82-72-105
1-3/8"	F1-82-73	F1-82-73-115	F1-82-73-105
1-1/2"	F1-82-74	N/A	F1-82-74-105
1-3/4"	F1-82-76	N/A	F1-82-76-105



Standard cam
13-2563 cam shown



How to Order Keso F1 Removable Core Mortise Cylinders and Cores

Mortise Cylinder Lengths "X"	F1-83-Keso Removable Core Mortise Cylinders with a Standard Cam	F1-83-Keso Removable Core with Standard Cam (Core Only)	F1-83-Keso Removable Core Mortise Cylinders for 78/8216 & 92 Mortise Functions (Inside) with a 105 Cam	F1-83-Keso Removable Core with a 105 Cam, for 78/8216 & 92 (inside) Mortise Function (Core Only)	84-Keso Removable Construction Core Mortise Cylinders with Standard Cam	84-Keso Removable Construction Core Mortise Cylinder with a 105 Cam, for 78/8216 & 92 (inside) Mortise Function	Mortise Housing Less Core	Mortise Construction Core Only
1-1/8"	N/A	N/A	N/A	N/A	N/A	N/A	N/A	N/A
1-1/4"	F1-83-172	F1-5172	F1-83-172-105	F1-5172-105	84-172	84-172-105	072	5472
1-3/8"	F1-83-173	F1-5173	F1-83-173-105	F1-5173-105	84-173	84-173-105	073	5473
1-1/2"	F1-83-174	F1-5174	F1-83-174-105	F1-5174-105	84-174	84-174-105	074	5474
1-3/4"	F1-83-176	F1-5176	F1-83-176-105	F1-5176-105	84-176	84-176-105	076	5476

Note: A Keso F1- Removable Core is determined by the Keso F1- Core, not the housing. Therefore, the 84- is a non F1- product.

The housings for Keso F1- 83- and 84- are the same housings

Note: 84-Removable Construction Core Cylinders are for temporary use and are NOT available in Keso F1. Once construction is completed the Keso F1-83- Removable Cores will be installed (78/8216 & 92 Functions require the 105 Suffix)

Note: Keso F1 Removable Core Cylinders are not available for 50 Function Hotel Locks

Rim Type Cylinders

Keso F1 High Security Cylinders

Rim Type Cylinders

F1-82-64 Series Rim Type Cylinders



Brass, bronze and stainless steel
Finishes: 3, 4, 9, 10, 10B, 10BE, 10BL,
20D, 32, 32D

For use with SARGENT
Exit Devices.

When ordered separately,
cylinders will be furnished with
"Break-off" screws, back plate,
and No. 97 cylinder rosette

- To order with hardware,
specify F1-82-
- Example: F1-82-8804 x ETL 32D

F1-83-164 Series Rim Type Removable Core Cylinders



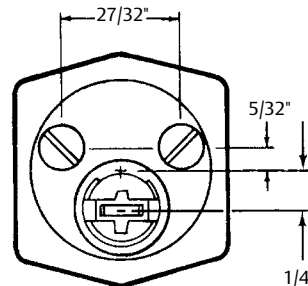
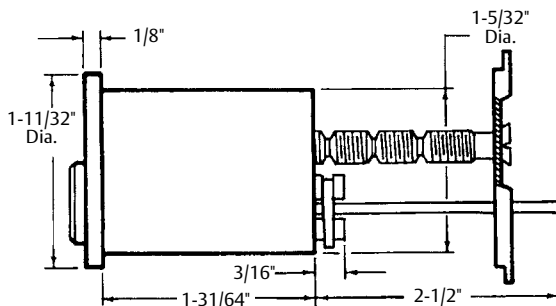
Brass, bronze and stainless steel
Finishes: 3, 4, 9, 10, 10B, 10BE,
32, 32D

For use with SARGENT Exit Devices.
Use 84- Prefix when construction
keying is needed

When ordered separately,
cylinders will be furnished with
"Break-off" screws, back plate,
and No. 97 cylinder rosette

- To order with hardware, specify
F1-83-
- Example: F1-83-8804 x ETL 32D

Note: The rim cylinder less core would be ordered as 064 x finish.
Collars, rosettes, back plates p/n 13-0086 and screws p/n 13-0074 are
to be ordered separately



How to Order Keso F1 Rim Cylinders Separately

Door Thickness without Trim	F1-82 Keso Rim Type Cylinder	F1-83-Keso Rim Type Removable Core Cylinders	F1-83-Keso Rim Type Removable Cores Only	84-Keso Rim Type Removable Construction Core Cylinders	Keso Rim Cylinder less core (screws and back plates to be ordered separately)
1-3/4" to 3-1/8"	F1-82-64	F1-83-164	F1-5164	5464	064

Note: A Keso F1- Removable Core is determined by the Keso F1- Core, not the housing. Therefore the 84- is a non F1- Product. The Housings for Keso F1- 83- and 84- are the same housings.

Note: 84-Removable Construction Core Cylinders are for temporary use and are NOT available in Keso F1. Once construction is completed the "permanent" Keso F1-83- Removable Cores can be installed.

F1-83-Keso Removable core rim housings are available less core.

Order as p/n 064 x finish

Mounting screws p/n 13-0074 and back plate p/n 13-0086 are to be ordered separately if needed.

Key-In-Knob/Lever Cylinders

Keso F1 High Security Cylinders

SARGENT®

ASSA ABLOY

Key-In-Knob/Lever Cylinders



Many designs and functions in the 8, 9, 10 and T-Zone (11 Line) can be furnished with SARGENT Keso F1.

Note:

- 1) 8 Line and 9 Line installations with conventional key-in-knob cylinders can be changed to SARGENT Keso F1 Security System by replacing the complete cylinder knob assembly
- 2) Locksets with levers with conventional cylinders can not be upgraded to Keso F1- or Standard Keso cylinders
- 3) Present Keso Systems can be upgraded to the Keso F1- System

For information regarding available designs, functions and finishes, refer to the particular Bored Lock Catalog for the product in question.

<p>F1- 8 & 9 line Cylinders Only for Key-In-Knob Locks</p> <p>F1-82-C8-1</p>	<p>Key-In-Lever 10 Line and T-Zone (11 Line)</p> <p>F1-82- Prefix Keso F1 Cylinder F1-82-10-1</p>	<p>8 & 9 Line Cylindrical Key-In-Knob Removable Cylinders</p> <p>F1-83-C8-1 shown</p>
---	--	--

How to Order Keso F1 Cylinders for 7, 10 & 11 Line Locks

Keso F1	Keso F1
<p>All 7 & 10 Line Functions Cylinder Only: F1-82-C10-1 With Lock: F1-82-10G37 x GL x 26D x LH</p>	<p>All 11 Line Functions Except for the 50 Cylinder Only: F1-82-C11-1 With Lock: F1-82-11G05 x LL x 26D x RH</p>

- Note:** Keso F1 Cylinders for hotel (50) functions are not available 10 and 11 line locks
Note: 7 Line Locks are not available with Hotel (50) function
Note: Removable Core Cylinders are NOT available for 7, 10 or 11 Line locks
Note: SARGENT Keso F1 Systems are available with L, P and B Levers

How to Order Keso F1 Cylinders for 8 & 9 Line Locks

F1-82-Keso Cylinder for all 8 & 9 Line Functions Except for the 50 Function	F1-82-Keso Cylinder for all 8 & 9 Line 50 Functions Locks Only	F1-83-Keso Removable Cylinder for 8 & 9 Line all functions Except for the 50 Function	84-Keso Cylinder for all 8 & 9 Line Functions Except for the 50 Function
<p>Cylinder Only: F1-82-C8-1 With Lock: F1-82-8G04 x OB x 26D</p>	<p>Cylinder Only: F1-82-C8-2 With Lock: F1-82-8G50 x OB x 26D</p>	<p>Cylinder Only: F1-83-C8-1 With Lock: F1-83-8G04 x OB x 26D</p>	<p>Cylinder Only: 84-C8-1 With Lock: 84-8G04 x OB x 26D</p>

Note: 84-Removable Construction Cylinders are for temporary use and are NOT available with F1 Keso feature as once construction is completed the Keso F1-83- Cylinders will be installed

Note: 50 Function/Hotel is not available with removable core

Copyright © 2004-2005, 2007, 2009-2017, Sargent Manufacturing Company, an ASSA ABLOY Group company. All rights reserved. Reproduction in whole or in part without the express written permission of Sargent Manufacturing Company is prohibited.

90107AM 03/01/17

Removable Cores / Construction Keying and General Information

Keso F1 High Security Cylinders



Keso F1-83- Removable Core and Keso 84- Removable Construction Core Cylinders

The SARGENT Keso 84- security removable construction core system protects the security of an owner's masterkey system during the time of building construction. It is in use throughout the construction period in lieu of the permanent masterkeyed cores. This prevents the permanent system keys from becoming available to unauthorized people. Upon completion of the building, the temporary construction cores and all keys (day and control) for the construction core system become inoperative.

Removable construction core cylinders are available for SARGENT mortise locks, 8 and 9 Line (except for 50 function) and exit devices with mortise and rim cylinder only.

SARGENT Keso 84- temporary removable construction cores are designated by:

- Brown oxidized finish on cylinder sleeves
- Cylinder barrels with 1/8" diameter hole drill point in upper right hand area of barrel head
- All keys are stamped "CONST"
- All removable construction cores will be keyed alike in one KA set and furnished with 6 keys and 1 control key. These are packed separately and shipped to distributor for delivery to general contractors. Additional keys supplied upon request

When the construction core system is to be used, the order must be entered with an individual item number for each key lock. Where room or opening numbers are shown on the plans, this information should also appear with each lockset. Each removable construction core system will be supplied with a total of 6 day keys and 1 control key, unless specified otherwise.

All key locks ordered will be shipped with temporary removable construction cores. To order, prefix the lock number with 84 (Example: 84-8205). A separate order for permanent cores, with all necessary keying information and item numbers for identification purposes, should accompany the lockset order. Upon proper authorization, the permanent cores will be shipped directly to the distributor and not to the job site.

For ordering permanent cores, refer to pages 2, 3 and 4. It will be the distributor's responsibility to:

- Deliver all permanent cores to the job site
- Remove all temporary construction cores and insert permanent cores
- Inspect each lockset to ensure that all permanent cores are operating satisfactorily
- Deliver to building owner all day, master and control keys for the permanent system
- Return all temporary construction cores to SARGENT in New Haven on a regular return goods authorization

All locksets ordered with removable construction core cylinders will be invoiced at the regular price established for prefix 83. A separate invoice will be issued to cover the permanent cores at prices listed for removable cores. Upon return of temporary removable construction cores to SARGENT, a credit will be issued covering the quantity of cores returned at the prices listed for construction cores.

84- Removable Construction Core Cylinders

To order cylinders only (housing & core), specify as follows:

Mortise – Add prefix 84- to removable core cylinder number (Example: 84-172) Not available for 50 function (See Chart on Page 2).

Rim Type – Add prefix 84- to removable core cylinder number (Example: 84-164) (See Chart on Page 3).

Removable Cores Only, Mortise and Rim Type

To order, see charts on Pages 2 and 3.

Removable Construction Cylinders

To order cylinders only:

8 Line, 9 Line – Specify as 84-C8-1 (all functions except 50) (See Chart on Page 4).

To order permanent removable cylinders for 8 Line, 9 Line - Specify as F1-83-C8-1 (See Chart on Page 4).

General Information

INTERCHANGEABILITY

Mortise and rim type SARGENT Keso F1 Security System cylinders are interchangeable with conventional SARGENT cylinders currently in use. SARGENT Keso F1 Security System cylinders for key-in-knob 8 and 9 Line can be substituted for conventional cylinders in use by changing the cylinder knob assembly. When ordering replacement cylinder knob assemblies for 8 and 9 Line, consult current catalog offering and specify function, trim and finish.

REMOVABLE CORE CYLINDER FOR HOTEL FUNCTIONS

Removable core cylinders are not available for hotel function in any lock line.

CONTROL KEYS FOR REMOVABLE CORE SYSTEMS

It is recommended that a removable core system utilize the minimum number of locks possible under any single control key. The most secure condition would be for one control key to operate one lock. A control

key allows access to the cylinders to which it is keyed and should be safeguarded in the same manner as a masterkey.

All orders for removable core systems must clearly state the keying level at which the control key will operate.

MASTERKEY SHIPMENTS

Masterkeys specified in the original order are shipped to the SARGENT distributor for delivery to the building owner. Upon delivery, the building owner will be required to sign the Masterkey Receipt Card (Form G831). The completed card must bear an authorized signature, as it appears on the Signature Authorization Card (Form G825), and then must be returned to SARGENT Manufacturing Company by the distributor.

Padlocks, Utility Locks and Switch Locks

Keso F1 High Security Cylinders



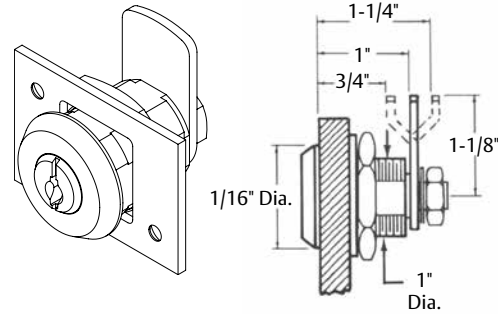
How to Order:

Padlock No. F1-82-856 and F1-82-857



- 856 - Non key retaining. Key can be removed while unlocked and relocked without key.
- 857 - Key retaining. Key removable in locked position only.
- Same security as offered in other Keso Security System locks. Can be masterkeyed with all locks in the system
- Positive deadlocking construction – none of the springs can be forced
- Two stainless steel balls lock shackle. Forcing of shackle increases locking action
- Available with standard stainless steel or optional hardened steel shackle
- Brass case
- Weather Shield Kit included (standard)

Utility Lock No. F1-4152



Finishes: 3, 4, 10, 26, 26D

For Drawers: Up to 3/4" thick

Cylinder: Keso F1 Security System.

Can be masterkeyed with all other Keso locks in the system

Reversible: Right or left hand

Cam: Steel, flat (order as F1-4152)

or 1/4" offset (order as F1-4152-2)

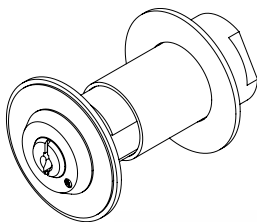
Mounting Plate: Furnished with screws for mounting to wood or metal drawers. Can be brazed to metal doors

SPECIFICATIONS

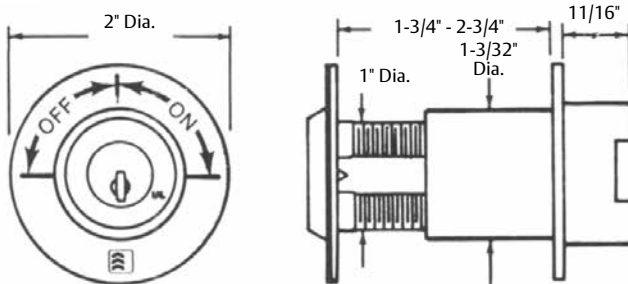
Removable core not available

Padlock Number	Description
F1-82-856.....	Stainless steel shackle
F1-82-856C.....	Stainless steel shackle and 9" chain
F1-82-856HS.....	Nickel plated hardened steel shackle
F1-82-856HSC.....	Nickel plated hardened steel shackle and 9" chain
F1-82-857.....	Key removable in locked position only
Body.....	Solid brass, resists corrosion satin brass finish
Case Dimensions.....	2"x2"x1-1/8"
Shackle.....	Stainless standard or optional hardened steel, nickel plated
Shackle Diameter.....	1 1/32"
Shackle Clearance.....	1" standard; 2-1/2" and 4" clearance available
Chain.....	9"

Switch Lock No. F1-4153



Keso F1 Security System cylinder operates a single pole, double throw U.L. Listed Switch



Copyright © 2004-2005, 2007, 2009-2017, Sargent Manufacturing Company, an ASSA ABLOY Group company. All rights reserved. Reproduction in whole or in part without the express written permission of Sargent Manufacturing Company is prohibited.

90107AM 03/01/17

UL437 Keso F1 Security System Cylinders

Keso F1 High Security Cylinders

How to Order:

UL437 Listed Keso F1 Security System Cylinders

UL437 Listed cylinders have the same basic construction as standard SARGENT Keso F1- Security System cylinders with additional pick and drill resistant features.

UL437 Listed Cylinders are ordered separate from hardware.

These UL437 Listed cylinders contain additional hardened steel pins that may not be compatible with existing key systems. Consult SARGENT Key Records Department for compatibility. Generally, U.L. Listed cylinders can be keyed into the total system if the requirement is known at the time the system is established.

U.L. performance tests are specified in standards for safety – Key locks (U.L. 437, First Edition, Underwriters Laboratories, Inc., Chicago, Illinois) as follows:

“The lock cylinder shall resist for at least ten minutes any of the following or other tests suggested by study of the design. Recognized lock experts may be called in to assist in these tests.”

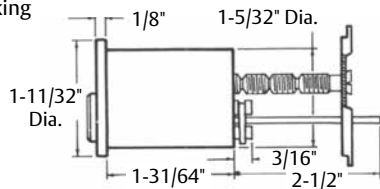
“The cylinder shall resist aligning the tumblers and opening the lock by means of picking tools.”

“The cylinder shall resist drilling the plug or body of the cylinder, releasing the tumblers, and opening the lock.”

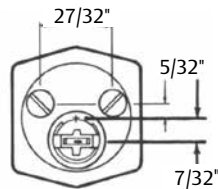
“The cylinder shall resist opening the lock by forcing a small cold chisel or screw driver into the key slot and applying rotary force with a pair of pliers or a wrench.”

F1-4264 Rim Cylinder

Listed in Underwriters Laboratories, Inc. Burglary Protection Equipment List under locking cylinders (241 012)
Finishes: 10, 26, 26D

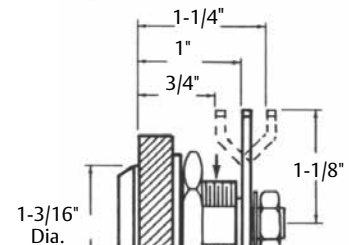


No. F1-4264 are furnished with “Break-off” screws, back plate and No. 97 cylinder ring. Break-off screws are located above horizontal centerline, same as standard No. 64 cylinder. For use with SARGENT exit devices.



F1-4252 Utility Lock

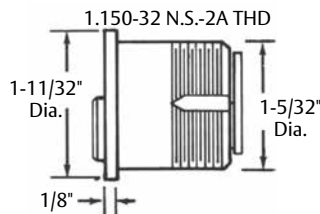
Listed in Underwriters Laboratories, Inc. Burglary Protection Equipment List under locking cylinders (241 012)
Finishes: 10, 26, 26D



For Doors: Up to 3/4" thick
Cylinder: Keso F1 Security System
Reversible: Right or left hand
Cam: Steel, flat (order as F1-4252) or 1/4" offset (order as F1-4252-2)
Mounting Plate: Furnished with screws for mounting to wood or metal doors. Can be brazed to metal doors.

F1-4270 Series Mortise Lock

Listed in the Underwriters Laboratories, Inc. Burglary Protection Equipment List under locking cylinders (241 012)
Finishes: 10, 26, 26D

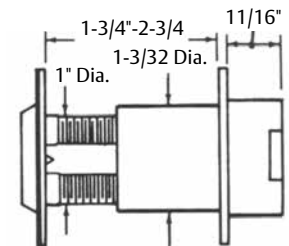


Nos. F1-4271, F1-4272, F1-4273, F1-4274, F1-4276
Diameter of cylinder under cylinder head: 1-5/32"

F1-4253 Switch Lock

Keso F1 Security System cylinder operates a single pole, double throw U.L. Listed in the Underwriters Laboratories, Inc. Burglary Protection Equipment List under connectors and switches (25L30)

Finishes: 26



Electrical Switch (U.L. Listed) – Max. rating:
250 vac – 5 amp.
30vdc – 3 amp.



How to Order F1-4270 Series Mortise Cylinders

Mortise Cylinder Lengths	1-1/8"	1-1/4"	1-3/8"	1-1/2"	1-3/4"
Series F1-4270 Cylinder	F1-4271	F1-4272	F1-4273	F1-4274	F1-4276

Operation: Turn key 90° right or left (until stop is reached). Return key to vertical position and remove. Key is removable in vertical position only.

Cams for Keso F1 and Keso Security Cylinders

Keso F1 High Security Cylinders

SARGENT®

ASSA ABLOY

Cams for Keso F1 and Keso Security Cylinders

Listed below are the cams available for Keso F1 and Keso Security System cylinders. There are four special cams for cylinders used with other manufacturers' locks. Since there may be several cam variations within one manufacturer's lock line, a thorough check of all lock functions should be made whenever Keso F1 and Keso Security System cylinders are being considered for use in other manufacturers' locks.

Cam description	Application	Order # For Complete Cyl. Assembly With Cam	Cam Part # When Ordered Separately
Regular Cam (Std)	F1-82-71 thru F1-82-76, F1-83-172 thru F1-83-176 71 thru 76 and 172 thru 176	F1-82-71 thru F1-82-76, F1-83-172 thru F1-83-176 82-71 thru 82-76 and 83-172 thru 83-176	Std (No Suffix) (13-2563)
Vertical Hotel Cam (Cam Suffix -115)	F1-82-(72-115, 73-115) Note these cylinders have limited key rotation and are only for use in Sargent 78/8250 locks	F1-82-72-115, F1-82-73-115, 82-72-115 & 82-73-115 for only in 78/8250 functions	13-2283 (115 Cam*)
Short Offset Cam (Cam Suffix -105)	Inside cylinder cam for Mortise Functions 16 and 92	F1-82-71-105 thru F1-82-76-105 & F1-83-172-105 (Cam Suffix -105) thru F1-83-176-105, 82-71- thru 82-76-105 & 83-172-105 thru 83-176-105	13-2522 (105 Cam)
70-101 and 170-101 Offset Cams	Adams Rite MS1850 series locks only. Packed standard with #90-1/8" blocking ring	F1-71-101 thru F1-76-101, F1-172-101 thru F1-176-101	13-2521 (101 Cam)
70-113 Vertical Cam (Cam Suffix -113)	Cam used with 4370 Series Key switches	F1-82-71-113 82-71-113	13-2519 (113 Cam)
70-106 Cam (Cam Suffix -106)	70 Series mortise cylinders for Schlage "L" mortise lock	F1-82-71-106 thru F1-82-76-106 71-106 thru 76-106	13-0939 (106 Cam)

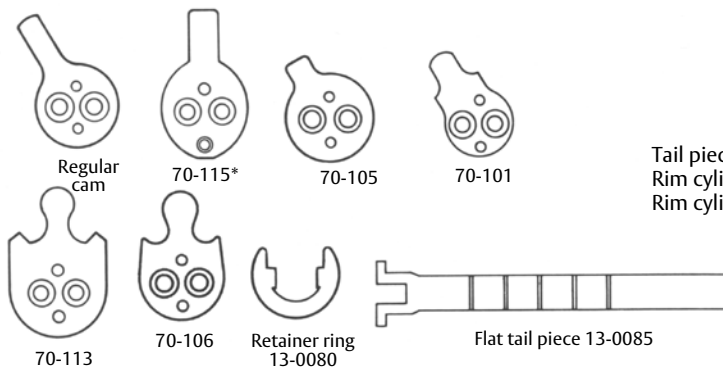
Keso F1 and Keso cylinder cams can only be used with Keso cylinders.

These cams cannot be used with conventional SARGENT mortise cylinders.

170 Series removable core cylinders are only available for use in SARGENT hardware, except the Adams rite locks listed above.

The following cams can only be used in removable core: -105, -101, -104 and the regular cam 13-2563.

* The 115 cam is unique and only fits the limited rotation hotel function cylinder



Tail piece/plug retainer 13-0880 not shown
Rim cylinder back plate p/n 13-0086 not shown
Rim cylinder screws 13-0085 not shown

Ordering Forms

Orders for the SARGENT Keso F1 Security System are handled on a special priority basis and are closely controlled, not only to expedite shipments, but to protect the security of each installation. These forms are utilized in the ordering procedure:

Signature Authorization Card, Form No. G825

Form G825 is the control card for ordering the SARGENT Keso F1 and Keso Security System. It is to be completed and signed in duplicate. The SARGENT distributor will keep one copy and the second copy will accompany the initial order for the system. When received in New Haven, CT., it will be kept in a locked file for subsequent authenticating purposes. Only those orders bearing one or more of the signatures on this card will be honored.

Authorization For SARGENT Keso F1 Security System, Form No. G826

This form is to be used by the building owner, or his agent, in ordering the SARGENT Keso F1 Security System for additions to an existing system. It is to be completed by the owner or agent and forwarded to the authorized SARGENT Distributor. Completed forms must bear an authorized signature.

SARGENT Keso F1 and Keso Security System Key order, Form No. G827

The key order form is used for ordering additional or duplicate keys for a system. The form is completed by the building owner, or his agent, and an authorized signature must appear on it. The form is forwarded by the building owner to the authorized SARGENT Distributor.

All forms are available only through authorized SARGENT Distributors.

Field Maintenance, Keso F1 and Keso Service Center and Shipping Schedules

Keso F1 High Security Cylinders



Field Maintenance of KESO F1 and Keso Security System Cylinders

Proper maintenance of lock cylinders will insure longer life for the SARGENT Keso F1 and Keso Security System and will eliminate potential cylinder malfunctions. Preventive maintenance, performed on a continuing basis, is simple to do and requires no technical knowledge. It is accomplished with a dry film lubricant in the cylinder chamber through the keyway opening. It is not necessary to remove either the lock or cylinder from the door, the keyway is directly exposed in all cases.

While all cylinders should be lubricated once a year, cylinders with a high usage frequency should be lubricated every sixty days. Exterior cylinders which are exposed to dust, dirt and extreme weather conditions should be serviced with dry film lubricant every sixty days.

The proper lubricant is important. It is our recommendation that only a dry film lubricant is used. The use of oil, grease or similar substances should not be used in lock cylinders.

KESO F1 and Keso Security System Service Center

A service center has been established in the factory to process orders in the following three categories:

1. Repair or replace inoperative Keso F1 and Keso Security System cylinders and keys.
2. Supply additional keys for existing key systems.
3. Furnish new cylinders for existing key systems. This service is limited to quantities of twelve cylinders or less.

Service Center Delivery Responsibility

Orders for repair of cylinder in quantities of twelve or less will be shipped within three working days after receipt of order. A delivery date will be available from the factory for cylinders in quantities greater than twelve.

Distributor Responsibility

1. Orders for repair and replacement of inoperative cylinders should be mailed to Sargent Manufacturing Company, 100 SARGENT Drive, New Haven, CT 06511. A day key should accompany any cylinder returned for repair to insure proper diagnosis. A statement regarding the malfunction should also be included. The service center has been established to service owners of KESO Security Systems through authorized distributors only and not on a direct basis with building owners.
2. Key orders should be mailed to Sargent Manufacturing Company. Authorization Form G827 bearing an authorized signature must accompany all orders for additional cylinders.
3. Orders for twelve cylinders or less keyed to an existing system should be mailed to Sargent Manufacturing Company. Authorization Form G826 bearing an authorized signature must accompany all orders for additional cylinders.

Information required to insure prompt and efficient handling of your service orders:

1. Job name
2. Original SARGENT order numbers
3. Key number
4. Registry number (last four digits on key)

Shipping Schedules

For existing installations

Orders for additional keys for existing systems will be filled within 48 hours after receipt of order in quantities of twenty-five keys or less. Orders for more than twenty-five keys will require an additional 24 hours for each increment of fifty keys or less (**Example: 150 keys would require five working days**). Orders for additional new cylinders for existing key systems in quantities of twelve or less will be shipped within fifteen working days after receipt of order.

How to Order

Keso F1 High Security Cylinders

SARGENT®

ASSA ABLOY

Complete Locksets (Mortise, Rim Type and Key-in Knob Cylinders)

How to Order Keso F1 Cylinders for SARGENT Mortise Locks, Exit Devices and Bored

	Keso F1 Cylinders	Keso F1 Removable Core Cylinders	Keso F1 Removable Construction Core Cylinders
How to Order	F1-82-	F1-83-	84-
Example: 8205 LNL 26	F1-82-8205 LNL 26	F183-8205 LNL 26	84-8205 LNL 26
Example 8813xETL 10B LHRB	F1-82-8813xETL 10B LHRB	F1-83-8813xETL 10B LHRB	84-8813xETL 10B LHRB

Note: All Keso F1 products listed are offered with both the F1- Option and the Non F1- Option. To order the non F1- Option, simply leave off the F1- Prefix when ordering

Note: SARGENT will supply the correct cylinders based on function, door thickness and prefix requested

Note: When ordering cores or cylinders, specify keying requirements

Keys

F1 master keys order by catalog # F1 K372 MK

F1 Day keys order by catalog # F1 K372 CHK

F1 Control key or Emergency key for all locks except 8G50 order by catalog # F1 K372 CTL

F1 Mortise emergency key order by catalog # F1 K373 EMK

F1 8G50 emergency key order by catalog # F1 K374 EMK

Key Blanks

F1 Master and change key blanks order by catalog # F1-K376

F1 Control key blanks order by catalog # F1-K-375

Correct ordering number will consist of:

Complete Locksets: Lockset number with prefix, design, hand and finish. **Example: F1-82-8245 LNL LH 3**

Cylinders Only: Cylinder number, suffix (if any), and finish. **Example: F1-71-115 x 3**

Removable Cores Only: Core number, prefix or suffix (if any), and finish. **Example: F1-5172-105 x 3**

Padlocks: Padlock number, shackle clearance (if other than standard) and finish (if other than standard). **Example: F1-82-856 2-1/2" 26D**

Utility Locks: Lock number and finish. **Example: F1-4152 3**

Prefix Designations

82-	Keso Security Cylinder
F1-82-	Keso Security Cylinder with Front Profile
83-	Keso Security Removable Core Cylinders
F1-83-	Keso Security Removable Core Cylinders with Front Profile
84-	Keso Security Removable Construction Core Cylinder (temporary use only)

Suggested Architect's Specification

2.0 KEYING – Keso F1 SERIES

- A. Cylinders and keys shall be SARGENT Keso F1 Series by SARGENT Manufacturing Company, New Haven, CT.
- B. Each cylinder shall contain at least twelve key pins.
- C. Cylinders shall not contain splits or master key pins.
- D. Each keying system shall offer at least seven levels of master keying, and regardless of the level of master keying, there must be a minimum of 100,000 unduplicated, safe and usable key combinations available.
- E. Provide high security removable core cylinders, with patented key control, for each lock with temporary construction cores. Permanent cores shall be installed upon completion of the project.
- F. Cylinders shall meet the requirements of UL437.
- G. Master key or Grand master key cylinders and key in groups, unless otherwise specified. Factory master key with manufacturer retaining permanent keying records.
- H. Provide 6 master keys for each master key set. Provide 3 change keys for each lock. Provide 2 control keys for core removal. Stamp keys PATENTED.
- I. Provide key list, in electronic format, for import directly into KeyWizard key control software.
- J. Submit proposed keying schedule to Architect. If requested, meet with Owner and Architect to review schedule.

Copyright © 2004–2005, 2007, 2009–2017, Sargent Manufacturing Company, an ASSA ABLOY Group company. All rights reserved. Reproduction in whole or in part without the express written permission of Sargent Manufacturing Company is prohibited.

90107AM 03/01/17

SARGENT Manufacturing Company
100 Sargent Drive
New Haven, CT 06511 USA
800-727-5477
www.sargentlock.com

ASSA ABLOY is the global
leader in door opening solutions,
dedicated to satisfying
end-user needs for security,
safety and convenience

Founded in the early 1800s, SARGENT® is a market leader in locksets, cylinders, door closers, exit devices, electro-mechanical products and access control systems for new construction, renovation, and replacement applications. The company's customer base includes commercial construction, institutional, and industrial markets.

Copyright © 2004-2005, 2007, 2009-2017, Sargent Manufacturing Company, an ASSA ABLOY Group company. All rights reserved. Reproduction in whole or in part without the express written permission of Sargent Manufacturing Company is prohibited. Patent pending and/or patent www.assaabloydss.com/patents.