



# Cylinders

BS Kitemarked euro profile single cylinder

BS Kitemarked euro profile double cylinder

BS Kitemarked euro profile thumbturn cylinder

Rim cylinder

Mortice screw in cylinder



Yale offers a very comprehensive range of cylinders to suit most applications. They are available in the most common styles to enable the customer to utilise their existing ironmongery.

The patent protection on the new system will help secure your suite from illicit key duplication. For the most comprehensive and flexible range of cylinders, Yale has the solution.

## KEY SYSTEMS



### 5 & 6 PIN

Convenient system for commercial & residential applications. System operates on a row of five or six lateral pins.



### PRO KEY

This is covered off by the Pro Key dealers brochure.

## BS EN1303 CLASSIFICATION

This standard classifies cylinders using a 8 digit coding system.

Each digit refers to a particular feature of the product measured against the standard's performance requirements.

- Digit 1 - Category of use** - Grade 1: Keys shall resist a torque of 2.5Nm and still be usable.
- Digit 2 - Durability**
  - Grade 4: 25 000 cycles completed.
  - Grade 5: 50 000 cycles completed.
  - Grade 6: 100 000 cycles completed.
- Digit 3 - Door mass** - No requirement.
- Digit 4 - Fire resistance**
  - Grade 0: No requirement.
  - Grade 1: Cylinders shall be fire tested in accordance with current fire test requirements of prEN 1634-1.
- Digit 5 - Safety** - No requirement.
- Digit 6 - Corrosion resistance**
  - Grade 0: No requirement.
  - Grade A: BS EN 1670 grade 3 corrosion resistance 96hrs no temperature resistance required.
  - Grade B: No corrosion resistance required. Temperature resistance to -20°C/+80°C.
  - Grade C: BS EN 1670 grade 3 corrosion resistance 96hrs. Temperature resistance to - 20°C/+80°C.
- Digit 7 - Key Security** - Cylinders will be classified in grades 1 to 6, where 6 is the highest. The grade of security can differ from one side of a double cylinder to the other.

|                                      | GRADES |     |        |        |        |         |
|--------------------------------------|--------|-----|--------|--------|--------|---------|
|                                      | 1      | 2   | 3      | 4      | 5      | 6       |
| Min. no. of effective differs        | 100    | 300 | 15 000 | 30 000 | 30 000 | 100 000 |
| Min. no. of movable pins             | 2      | 3   | 5      | 5      | 6      | 6       |
| Direct coding on key                 | YES    | YES | NO     | NO     | NO     | NO      |
| Cylinder/Plug torque resistance (Nm) | 2.5    | 5   | 15     | 15     | 15     | 15      |

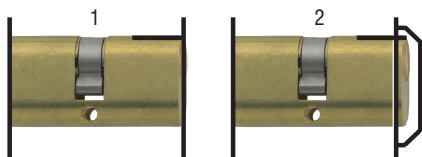
- Digit 8 - Attack Resistance** - Cylinders will be classified in grades 0,1 or 2, where 2 is the highest. The grade of security can differ from one side of a double cylinder to the other.

|  | GRADES |       |       |
|--|--------|-------|-------|
|  | 0      | 1     | 2     |
| Resistance to drilling(net)            | N/A    | 3mins | 5mins |
| Resistance to chisel attack(blows)     | N/A    | 30    | 40    |
| Resistance to twisting attack(twists)  | N/A    | 20    | 30    |
| Resistance to plug/cylinder extraction | N/A    | 15kN  | 15kN  |
| Torque resistance of plug/cylinder     | N/A    | 20Nm  | 30Nm  |

**Example:** The following marking denotes a cylinder meeting the required category of use, durability grade 6 (100 000 cycles) with no fire resistance requirement, grade C corrosion resistance, grade 5 key security and grade 2 attack security

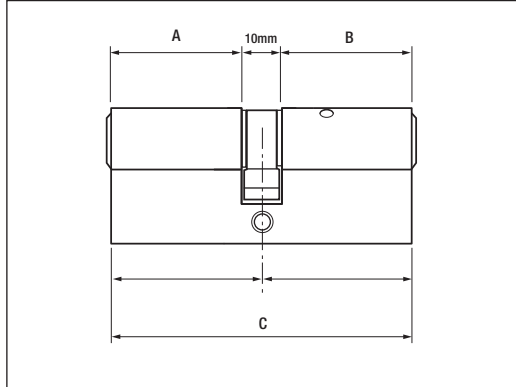
1 6 - 0 - C 5 2

**Note:** To gain chisel or torque resistance it is important that either, (1) the correct length of cylinder used is to be flush with the door/ handle face OR (2) a high security rose is used to cover any cylinder protrusion.



Euro Profile Cylinders are measured in two halves from either side of the cylinder's 10mm centre section e.g. 35/35 = 30-10-30 = 3030

## X6 Euro Profile Double Cylinder



- BSI Kitemark approved - KM532920
- Secured by design recommended product
- 6 Pin
- Tested to over 100,000 cycles
- Over 100,000 combinations for ultimate key security
- Incorporates drill, pick and bump resistant features
- Meets the requirements of PAS 024:2007 when used in conjunction with Yale security furniture
- Independently tested to the requirements of BSEN 1303:2005

1 6 0 1 0 C 6 2\*

\* Complies when used with Yale security handle

| Yale Sizing | A    | B    | C     |
|-------------|------|------|-------|
| 30/30       | 30mm | 30mm | 70mm  |
| 30/35       | 30mm | 35mm | 75mm  |
| 30/40       | 30mm | 40mm | 80mm  |
| 30/45       | 30mm | 45mm | 85mm  |
| 30/50       | 30mm | 50mm | 90mm  |
| 35/35       | 35mm | 35mm | 80mm  |
| 35/40       | 35mm | 40mm | 85mm  |
| 35/45       | 35mm | 45mm | 90mm  |
| 35/50       | 35mm | 50mm | 95mm  |
| 40/40       | 40mm | 40mm | 90mm  |
| 40/45       | 40mm | 45mm | 95mm  |
| 40/50       | 40mm | 50mm | 100mm |
| 45/45       | 45mm | 45mm | 100mm |
| 50/50       | 50mm | 50mm | 110mm |

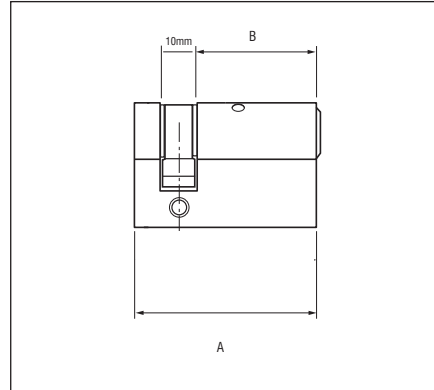
| Prod Code      | Item Description       | Finish |
|----------------|------------------------|--------|
| B-X6-ED3030-SB | EURO DOUBLE PROFILE SB | SB     |
| B-X6-ED3030-SC | EURO DOUBLE PROFILE SC | SC     |
| B-X6-ED3035-SB | EURO DOUBLE PROFILE SB | SB     |
| B-X6-ED3035-SC | EURO DOUBLE PROFILE SC | SC     |
| B-X6-ED3040-SB | EURO DOUBLE PROFILE SB | SB     |
| B-X6-ED3040-SC | EURO DOUBLE PROFILE SC | SC     |
| B-X6-ED3045-SB | EURO DOUBLE PROFILE SB | SB     |
| B-X6-ED3045-SC | EURO DOUBLE PROFILE SC | SC     |
| B-X6-ED3050-SB | EURO DOUBLE PROFILE SB | SB     |
| B-X6-ED3050-SC | EURO DOUBLE PROFILE SC | SC     |
| B-X6-ED3055-SB | EURO DOUBLE PROFILE SB | SB     |
| B-X6-ED3055-SC | EURO DOUBLE PROFILE SC | SC     |
| B-X6-ED3535-SB | EURO DOUBLE PROFILE SB | SB     |
| B-X6-ED3535-SC | EURO DOUBLE PROFILE SC | SC     |
| B-X6-ED3540-SB | EURO DOUBLE PROFILE SB | SB     |
| B-X6-ED3540-SC | EURO DOUBLE PROFILE SC | SC     |
| B-X6-ED3545-SB | EURO DOUBLE PROFILE SB | SB     |
| B-X6-ED3545-SC | EURO DOUBLE PROFILE SC | SC     |
| B-X6-ED3550-SB | EURO DOUBLE PROFILE SB | SB     |
| B-X6-ED3550-SC | EURO DOUBLE PROFILE SC | SC     |
| B-X6-ED3555-SB | EURO DOUBLE PROFILE SB | SB     |
| B-X6-ED3555-SC | EURO DOUBLE PROFILE SC | SC     |
| B-X6-ED4040-SB | EURO DOUBLE PROFILE SB | SB     |
| B-X6-ED4040-SC | EURO DOUBLE PROFILE SC | SC     |
| B-X6-ED4045-SB | EURO DOUBLE PROFILE SB | SB     |
| B-X6-ED4045-SC | EURO DOUBLE PROFILE SC | SC     |
| B-X6-ED4050-SB | EURO DOUBLE PROFILE SB | SB     |
| B-X6-ED4050-SC | EURO DOUBLE PROFILE SC | SC     |
| B-X6-ED4055-SB | EURO DOUBLE PROFILE SB | SB     |
| B-X6-ED4055-SC | EURO DOUBLE PROFILE SC | SC     |
| B-X6-ED4545-SB | EURO DOUBLE PROFILE SB | SB     |
| B-X6-ED4545-SC | EURO DOUBLE PROFILE SC | SC     |
| B-X6-ED4550-SB | EURO DOUBLE PROFILE SB | SB     |
| B-X6-ED4550-SC | EURO DOUBLE PROFILE SC | SC     |
| B-X6-ED5050-SB | EURO DOUBLE PROFILE SB | SB     |
| B-X6-ED5050-SC | EURO DOUBLE PROFILE SC | SC     |

| Prod Code      | Item Description       | Finish |
|----------------|------------------------|--------|
| P-X6-ED3030-SB | EURO DOUBLE PROFILE SB | SB     |
| P-X6-ED3030-SC | EURO DOUBLE PROFILE SC | SC     |
| P-X6-ED3035-SB | EURO DOUBLE PROFILE SB | SB     |
| P-X6-ED3035-SC | EURO DOUBLE PROFILE SC | SC     |
| P-X6-ED3040-SB | EURO DOUBLE PROFILE SB | SB     |
| P-X6-ED3040-SC | EURO DOUBLE PROFILE SC | SC     |
| P-X6-ED3045-SB | EURO DOUBLE PROFILE SB | SB     |
| P-X6-ED3045-SC | EURO DOUBLE PROFILE SC | SC     |
| P-X6-ED3050-SB | EURO DOUBLE PROFILE SB | SB     |
| P-X6-ED3050-SC | EURO DOUBLE PROFILE SC | SC     |
| P-X6-ED3535-SB | EURO DOUBLE PROFILE SB | SB     |
| P-X6-ED3535-SC | EURO DOUBLE PROFILE SC | SC     |
| P-X6-ED3540-SB | EURO DOUBLE PROFILE SB | SB     |
| P-X6-ED3545-SB | EURO DOUBLE PROFILE SB | SB     |
| P-X6-ED3545-SC | EURO DOUBLE PROFILE SC | SC     |
| P-X6-ED3550-SB | EURO DOUBLE PROFILE SB | SB     |
| P-X6-ED3550-SC | EURO DOUBLE PROFILE SC | SC     |
| P-X6-ED4040-SB | EURO DOUBLE PROFILE SB | SB     |
| P-X6-ED4040-SC | EURO DOUBLE PROFILE SC | SC     |
| P-X6-ED4045-SB | EURO DOUBLE PROFILE SB | SB     |
| P-X6-ED4050-SB | EURO DOUBLE PROFILE SB | SB     |
| P-X6-ED4050-SC | EURO DOUBLE PROFILE SC | SC     |
| P-X6-ED4545-SB | EURO DOUBLE PROFILE SB | SB     |
| P-X6-ED4545-SC | EURO DOUBLE PROFILE SC | SC     |
| P-X6-ED4550-SB | EURO DOUBLE PROFILE SB | SB     |
| P-X6-ED4550-SC | EURO DOUBLE PROFILE SC | SC     |
| P-X6-ED5050-SB | EURO DOUBLE PROFILE SB | SB     |
| P-X6-ED5050-SC | EURO DOUBLE PROFILE SC | SC     |

\* Complies when used with Yale High security door furniture or Yale Security escutcheon

PRODUCT CODES - P at the beginning of a code denotes visi packaging  
 - B at the beginning of a code denotes boxed packaging

## X6 Euro Profile Single Cylinder



- BSI Kitemark approved - KM532920
- Secured by design recommended product
- 6 Pin
- Tested to over 100,000 cycles
- Over 100,000 combinations for ultimate key security
- Incorporates drill, pick and bump resistant features
- Meets the requirements of PAS 024:2007 when used in conjunction with Yale security furniture
- Independently tested to the requirements of BSEN 1303:2005

| Yale Sizing | A    | B    |
|-------------|------|------|
| 30/10       | 50mm | 30mm |
| 35/10       | 55mm | 35mm |
| 40/10       | 60mm | 40mm |
| 45/10       | 65mm | 45mm |

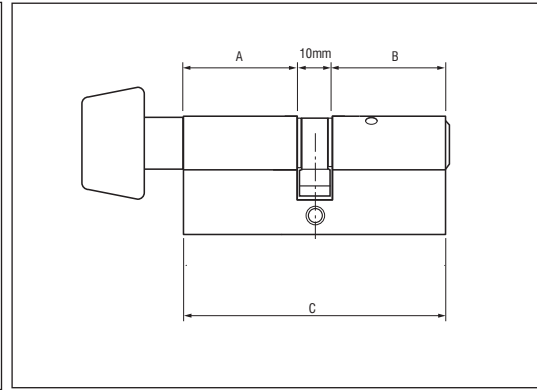
1 6 0 1 0 C 6 2\*

\* Complies when used with Yale security handle

| Prod Code      | Item Description       | Finish |
|----------------|------------------------|--------|
| B-X6-ES3010-SB | EURO SINGLE PROFILE SB | SB     |
| B-X6-ES3010-SC | EURO SINGLE PROFILE SC | SC     |
| B-X6-ES3510-SB | EURO SINGLE PROFILE SB | SB     |
| B-X6-ES3510-SC | EURO SINGLE PROFILE SC | SC     |
| B-X6-ES4010-SB | EURO SINGLE PROFILE SB | SB     |
| B-X6-ES4010-SC | EURO SINGLE PROFILE SC | SC     |
| B-X6-ES4510-SB | EURO SINGLE PROFILE SB | SB     |
| B-X6-ES4510-SC | EURO SINGLE PROFILE SC | SC     |
| P-X6-ES3010-SB | EURO SINGLE PROFILE SB | SB     |
| P-X6-ES3010-SC | EURO SINGLE PROFILE SC | SC     |
| P-X6-ES3510-SB | EURO SINGLE PROFILE SB | SB     |
| P-X6-ES3510-SC | EURO SINGLE PROFILE SC | SC     |
| P-X6-ES4010-SB | EURO SINGLE PROFILE SB | SB     |
| P-X6-ES4010-SC | EURO SINGLE PROFILE SC | SC     |
| P-X6-ES4510-SB | EURO SINGLE PROFILE SB | SB     |
| P-X6-ES4510-SC | EURO SINGLE PROFILE SC | SC     |

\* Complies when used with Yale High security door furniture or Yale Security escutcheon

## X6 Euro Profile Thumbturn Cylinder



- BSI Kitemark approved - KM532920
- Secured by design recommended product
- 6 Pin
- Tested to over 100,000 cycles
- Over 100,000 combinations for ultimate key security
- Incorporates drill, pick and bump resistant features
- Meets the requirements of PAS 024:2007 when used in conjunction with Yale security furniture
- Independently tested to the requirements of BSEN 1303:2005

1 6 0 1 0 C 6 2\*

\* Complies when used with Yale security handle

| Yale Sizing | A    | B    | C     |
|-------------|------|------|-------|
| 30/30       | 30mm | 30mm | 70mm  |
| 30/40       | 30mm | 40mm | 80mm  |
| 30/50       | 30mm | 50mm | 90mm  |
| 35/30       | 35mm | 30mm | 75mm  |
| 35/35       | 35mm | 35mm | 80mm  |
| 35/45       | 35mm | 45mm | 90mm  |
| 35/50       | 35mm | 50mm | 95mm  |
| 40/30       | 40mm | 30mm | 80mm  |
| 40/35       | 40mm | 35mm | 85mm  |
| 40/40       | 40mm | 40mm | 90mm  |
| 40/50       | 40mm | 50mm | 100mm |
| 45/30       | 45mm | 30mm | 85mm  |
| 45/35       | 45mm | 35mm | 90mm  |
| 45/40       | 45mm | 40mm | 95mm  |
| 45/45       | 45mm | 45mm | 100mm |
| 45/50       | 45mm | 50mm | 105mm |
| 50/30       | 50mm | 30mm | 90mm  |
| 50/35       | 50mm | 35mm | 95mm  |
| 50/40       | 50mm | 40mm | 100mm |
| 50/45       | 50mm | 45mm | 105mm |

## Pre-Packed Codes

| Prod Code      | Item Description          | Finish | Prod Code      | Item Description          | Finish |
|----------------|---------------------------|--------|----------------|---------------------------|--------|
| P-X6-ET3030-SB | EURO THUMBTURN PROFILE SB | SB     | P-X6-ET4045-SB | EURO THUMBTURN PROFILE SB | SB     |
| P-X6-ET3030-SC | EURO THUMBTURN PROFILE SC | SC     | P-X6-ET4045-SC | EURO THUMBTURN PROFILE SC | SC     |
| P-X6-ET3035-SB | EURO THUMBTURN PROFILE SB | SB     | P-X6-ET4050-SB | EURO THUMBTURN PROFILE SB | SB     |
| P-X6-ET3035-SC | EURO THUMBTURN PROFILE SC | SC     | P-X6-ET4050-SC | EURO THUMBTURN PROFILE SC | SC     |
| P-X6-ET3040-SB | EURO THUMBTURN PROFILE SB | SB     | P-X6-ET4530-SB | EURO THUMBTURN PROFILE SB | SB     |
| P-X6-ET3040-SC | EURO THUMBTURN PROFILE SC | SC     | P-X6-ET4530-SC | EURO THUMBTURN PROFILE SC | SC     |
| P-X6-ET3045-SB | EURO THUMBTURN PROFILE SB | SB     | P-X6-ET4535-SB | EURO THUMBTURN PROFILE SB | SB     |
| P-X6-ET3045-SC | EURO THUMBTURN PROFILE SC | SC     | P-X6-ET4535-SC | EURO THUMBTURN PROFILE SC | SC     |
| P-X6-ET3050-SB | EURO THUMBTURN PROFILE SB | SB     | P-X6-ET4540-SB | EURO THUMBTURN PROFILE SB | SB     |
| P-X6-ET3050-SC | EURO THUMBTURN PROFILE SC | SC     | P-X6-ET4540-SC | EURO THUMBTURN PROFILE SC | SC     |
| P-X6-ET3530-SB | EURO THUMBTURN PROFILE SB | SB     | P-X6-ET4545-SB | EURO THUMBTURN PROFILE SB | SB     |
| P-X6-ET3530-SC | EURO THUMBTURN PROFILE SC | SC     | P-X6-ET4545-SC | EURO THUMBTURN PROFILE SC | SC     |
| P-X6-ET3535-SB | EURO THUMBTURN PROFILE SB | SB     | P-X6-ET4550-SB | EURO THUMBTURN PROFILE SB | SB     |
| P-X6-ET3535-SC | EURO THUMBTURN PROFILE SC | SC     | P-X6-ET4550-SC | EURO THUMBTURN PROFILE SC | SC     |
| P-X6-ET3540-SB | EURO THUMBTURN PROFILE SB | SB     | P-X6-ET5030-SB | EURO THUMBTURN PROFILE SB | SB     |
| P-X6-ET3540-SC | EURO THUMBTURN PROFILE SC | SC     | P-X6-ET5030-SC | EURO THUMBTURN PROFILE SC | SC     |
| P-X6-ET3545-SB | EURO THUMBTURN PROFILE SB | SB     | P-X6-ET5035-SB | EURO THUMBTURN PROFILE SB | SB     |
| P-X6-ET3545-SC | EURO THUMBTURN PROFILE SC | SC     | P-X6-ET5035-SC | EURO THUMBTURN PROFILE SC | SC     |
| P-X6-ET3550-SB | EURO THUMBTURN PROFILE SB | SB     | P-X6-ET5040-SB | EURO THUMBTURN PROFILE SB | SB     |
| P-X6-ET3550-SC | EURO THUMBTURN PROFILE SC | SC     | P-X6-ET5040-SC | EURO THUMBTURN PROFILE SC | SC     |
| P-X6-ET4030-SB | EURO THUMBTURN PROFILE SB | SB     | P-X6-ET5045-SB | EURO THUMBTURN PROFILE SB | SB     |
| P-X6-ET4030-SC | EURO THUMBTURN PROFILE SC | SC     | P-X6-ET5045-SC | EURO THUMBTURN PROFILE SC | SC     |
| P-X6-ET4035-SB | EURO THUMBTURN PROFILE SB | SB     | P-X6-ET5050-SB | EURO THUMBTURN PROFILE SB | SB     |
| P-X6-ET4035-SC | EURO THUMBTURN PROFILE SC | SC     | P-X6-ET5050-SC | EURO THUMBTURN PROFILE SC | SC     |
| P-X6-ET4040-SB | EURO THUMBTURN PROFILE SB | SB     |                |                           |        |
| P-X6-ET4040-SC | EURO THUMBTURN PROFILE SC | SC     |                |                           |        |

\* Complies when used with Yale High security door furniture or Yale Security escutcheon

PRODUCT CODES - **P** at the beginning of a code denotes visi packaging  
- **B** at the beginning of a code denotes boxed packaging



## X6 Euro Profile Thumbturn Cylinder

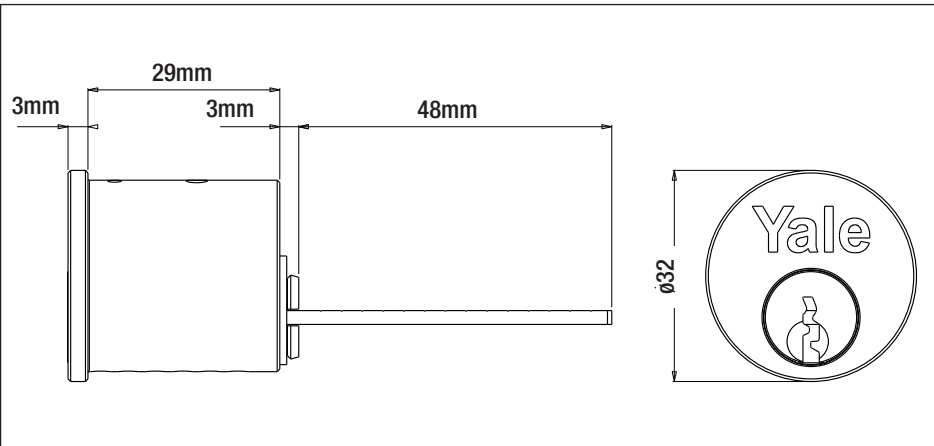
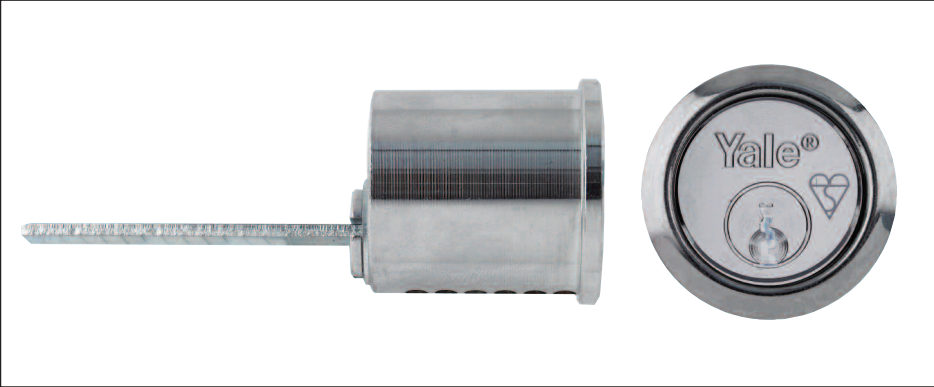


### Boxed Codes



| Prod Code      | Item Description     | Finish |
|----------------|----------------------|--------|
| B-X6-ET3030-SB | EURO TURN PROFILE SB | SB     |
| B-X6-ET3030-SC | EURO TURN PROFILE SC | SC     |
| B-X6-ET3035-SB | EURO TURN PROFILE SB | SB     |
| B-X6-ET3040-SB | EURO TURN PROFILE SB | SB     |
| B-X6-ET3040-SC | EURO TURN PROFILE SC | SC     |
| B-X6-ET3045-SB | EURO TURN PROFILE SB | SB     |
| B-X6-ET3045-SC | EURO TURN PROFILE SC | SC     |
| B-X6-ET3050-SB | EURO TURN PROFILE SB | SB     |
| B-X6-ET3050-SC | EURO TURN PROFILE SC | SC     |
| B-X6-ET3530-SB | EURO TURN PROFILE SB | SB     |
| B-X6-ET3530-SC | EURO TURN PROFILE SC | SC     |
| B-X6-ET3535-SB | EURO TURN PROFILE SB | SB     |
| B-X6-ET3535-SC | EURO TURN PROFILE SC | SC     |
| B-X6-ET3540-SB | EURO TURN PROFILE SB | SB     |
| B-X6-ET3540-SC | EURO TURN PROFILE SC | SC     |
| B-X6-ET3545-SB | EURO TURN PROFILE SB | SB     |
| B-X6-ET3545-SC | EURO TURN PROFILE SC | SC     |
| B-X6-ET3550-SB | EURO TURN PROFILE SB | SB     |
| B-X6-ET3550-SC | EURO TURN PROFILE SC | SC     |
| B-X6-ET4030-SB | EURO TURN PROFILE SB | SB     |
| B-X6-ET4030-SC | EURO TURN PROFILE SC | SC     |
| B-X6-ET4035-SB | EURO TURN PROFILE SB | SB     |
| B-X6-ET4035-SC | EURO TURN PROFILE SC | SC     |
| B-X6-ET4040-SB | EURO TURN PROFILE SB | SB     |
| B-X6-ET4040-SC | EURO TURN PROFILE SC | SC     |
| B-X6-ET4045-SB | EURO TURN PROFILE SB | SB     |
| B-X6-ET4045-SC | EURO TURN PROFILE SC | SC     |
| B-X6-ET4050-SB | EURO TURN PROFILE SB | SB     |
| B-X6-ET4050-SC | EURO TURN PROFILE SC | SC     |
| B-X6-ET4055-SB | EURO TURN PROFILE SB | SB     |
| B-X6-ET4055-SC | EURO TURN PROFILE SC | SC     |
| B-X6-ET4530-SB | EURO TURN PROFILE SB | SB     |
| B-X6-ET4530-SC | EURO TURN PROFILE SC | SC     |
| B-X6-ET4535-SB | EURO TURN PROFILE SB | SB     |
| B-X6-ET4535-SC | EURO TURN PROFILE SC | SC     |
| B-X6-ET4540-SB | EURO TURN PROFILE SB | SB     |
| B-X6-ET4540-SC | EURO TURN PROFILE SC | SC     |
| B-X6-ET4545-SB | EURO TURN PROFILE SB | SB     |
| B-X6-ET4545-SC | EURO TURN PROFILE SC | SC     |
| B-X6-ET4550-SB | EURO TURN PROFILE SB | SB     |
| B-X6-ET4550-SC | EURO TURN PROFILE SC | SC     |
| B-X6-ET5030-SB | EURO TURN PROFILE SB | SB     |
| B-X6-ET5030-SC | EURO TURN PROFILE SC | SC     |
| B-X6-ET5035-SB | EURO TURN PROFILE SB | SB     |
| B-X6-ET5035-SC | EURO TURN PROFILE SC | SC     |
| B-X6-ET5040-SB | EURO TURN PROFILE SB | SB     |
| B-X6-ET5040-SC | EURO TURN PROFILE SC | SC     |
| B-X6-ET5045-SB | EURO TURN PROFILE SB | SB     |
| B-X6-ET5045-SC | EURO TURN PROFILE SC | SC     |
| B-X6-ET5050-SB | EURO TURN PROFILE SB | SB     |
| B-X6-ET5050-SC | EURO TURN PROFILE SC | SC     |

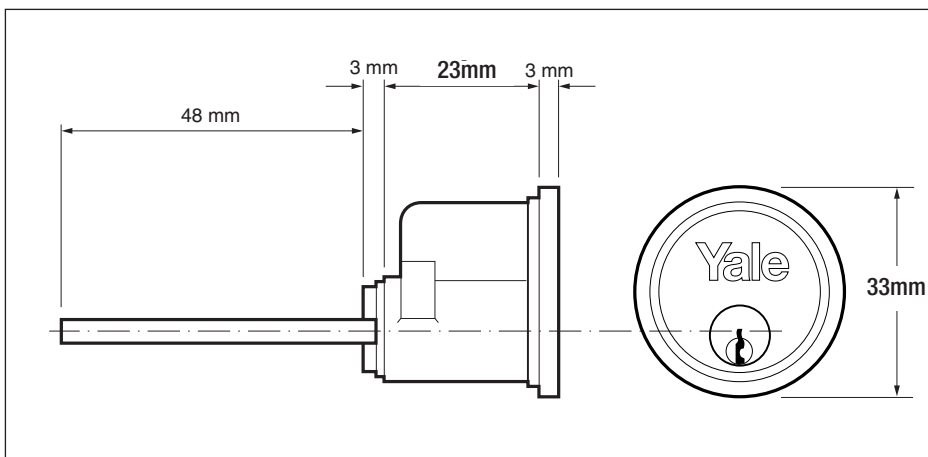
### X5 Rim Cylinder



- This product has been independently tested and meets the British Standard 1303: 2005
- Police Preferred Specification
- Over 100,000 key differentials for added security
- Keyblank number: X-Tech-Keyblank
- Key security grade 6
- Bump resistant

| Prod Code  | Item Description              | Finish |
|------------|-------------------------------|--------|
| B-X5-PB    | 1 key X5 replacement cylinder | PB     |
| B-X5-CH    | 1 key X5 replacement cylinder | CH     |
| P-X5-SC    | 1 key X5 replacement cylinder | SC     |
| P-X52KP-PB | 2 key X5 replacement cylinder | PB     |
| P-X52KP-CH | 2 key X5 replacement cylinder | CH     |
| P-X54KP-PB | 4 key X5 replacement cylinder | PB     |
| P-X54KP-CH | 4 key X5 replacement cylinder | CH     |

### 1109 Rim Cylinder

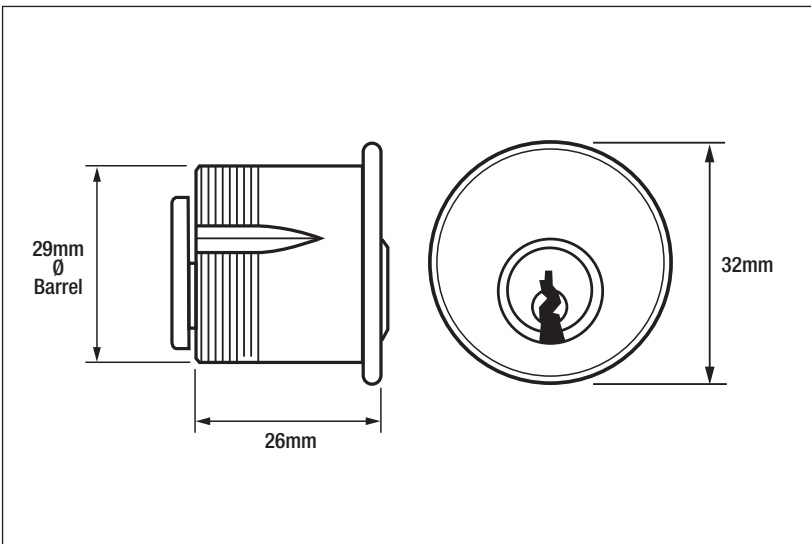
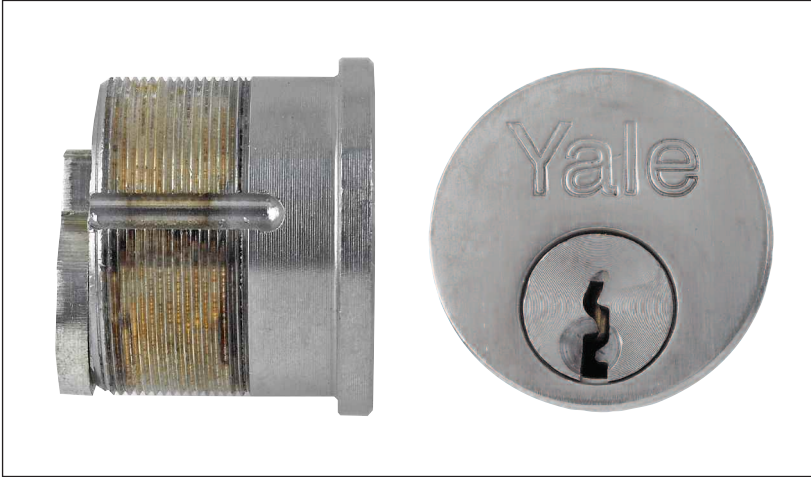


- For use with surface mounted locks operating from a tailbar
- Provides key access from one side of a door
- Suitable for doors from 38mm to 57mm in thickness
- 2/4/6 key variants available
- Keyblank No.8

| Prod Code    | Item Description               | Finish |
|--------------|--------------------------------|--------|
| B-1109-CH    | Replacement rim cylinder       | CH     |
| B-1109-PB    | Replacement rim cylinder       | PB     |
| B-1109-SC    | Replacement rim cylinder       | SC     |
| P-2KP1109-PB | 2 key Replacement rim cylinder | PB     |
| P-2KP1109-CH | 2 key Replacement rim cylinder | CH     |
| P-4KP1109-PB | 4 key Replacement rim cylinder | PB     |
| P-4KP1109-CH | 4 key Replacement rim cylinder | CH     |
| P-6KP1109-PB | 6 key Replacement rim cylinder | PB     |
| P-6KP1109-CH | 6 key Replacement rim cylinder | CH     |



**1133 Mortice Screw in Cylinder**



- For use with narrow stile mortice locks operating from a 29mm threaded cylinder
- Provide key access from one side of a door
- Keyblank No.8

| Prod Code | Item Description  | Finish |
|-----------|-------------------|--------|
| B-1133-SC | 1133 SC CYLINDERS | SC     |