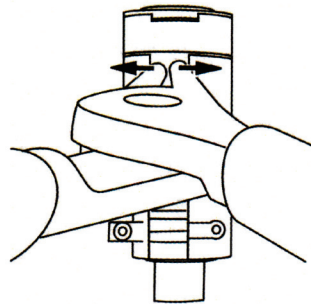


ABLOY[®] PROTEC²

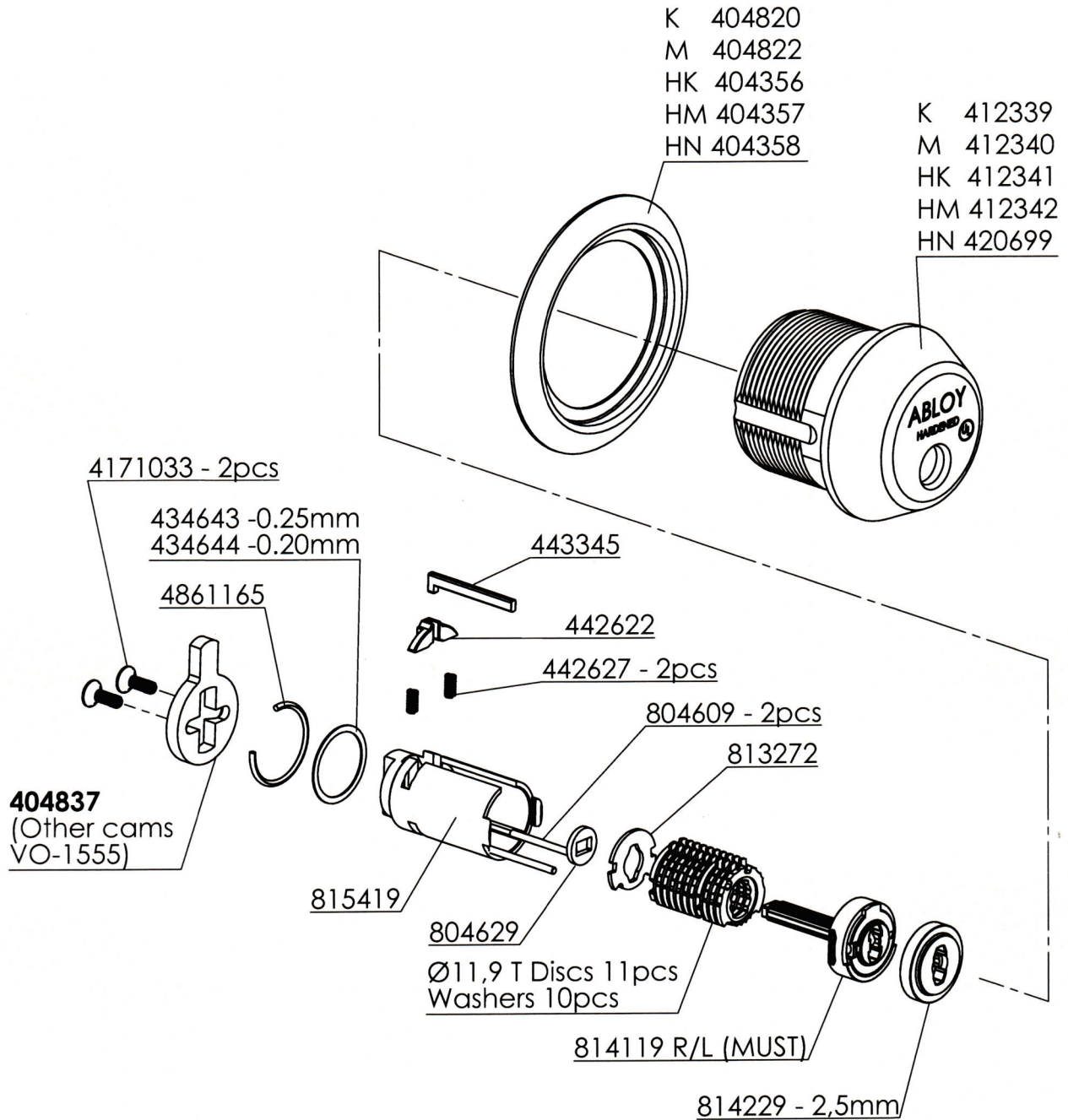


Unassembly Instructions

When Rekeying is needed for **ABLOY^{PROTEC²}** Cylinder Plus a special tools Knipex 4911A1 is needed. Or you the locksmith can use a small flat screwdriver place it gently between the controller and plug to remove the controller.

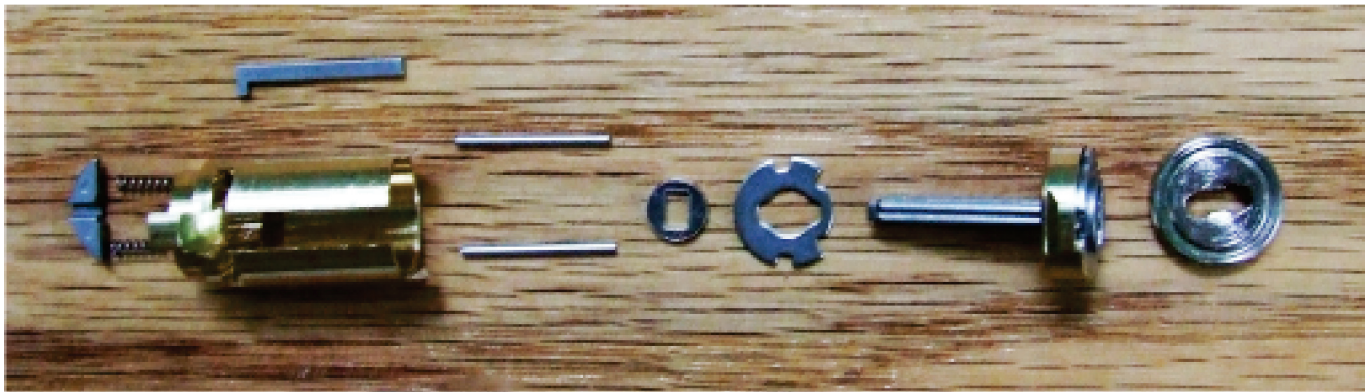


ABLOY® CY402T (CY-G)



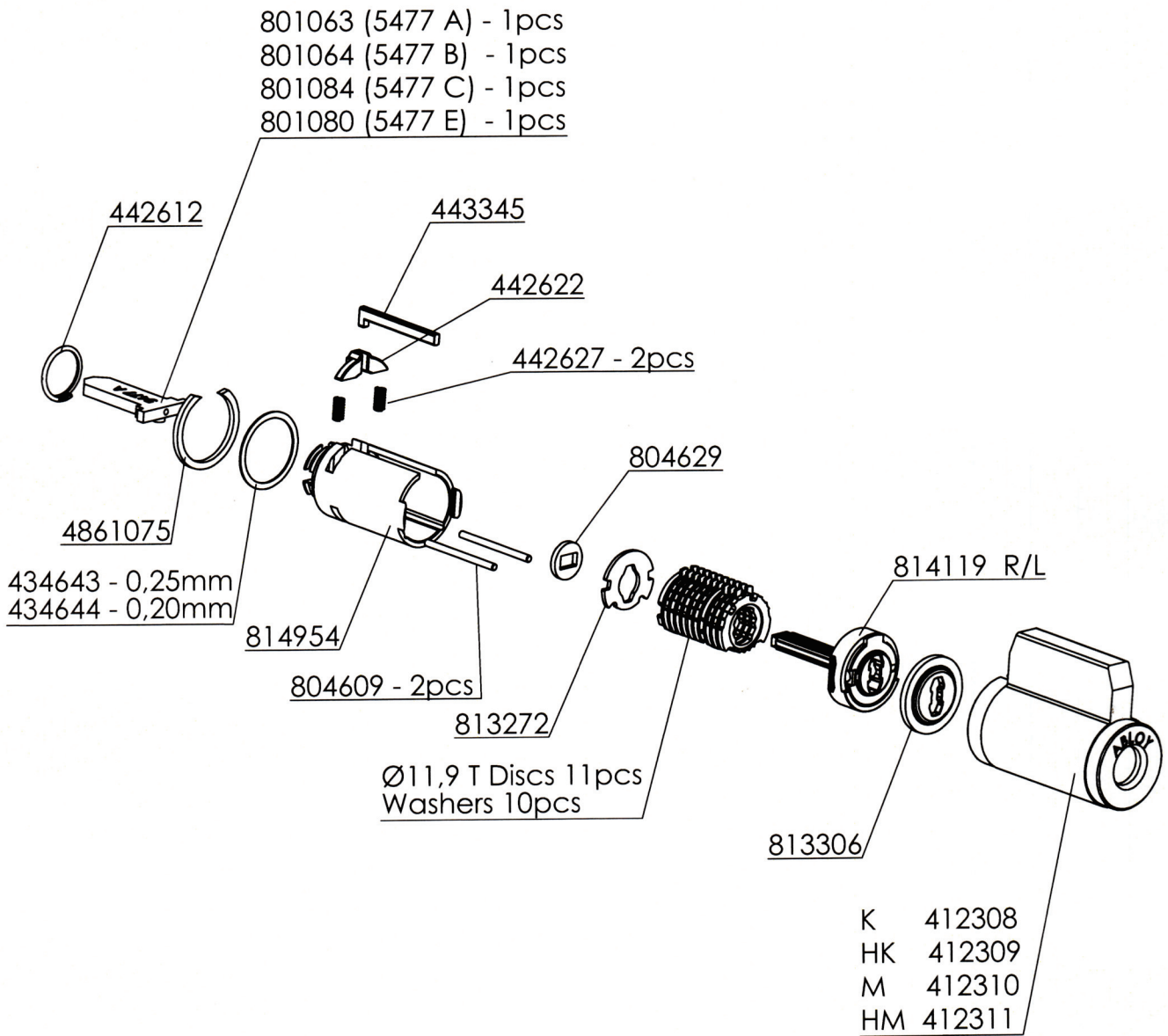
Drumset for CY402T S/A

ABLOY finally listen to the locksmith, we can now order Drumsets we can use before we go the job location All you need to do is place a order for what ever amount of Drumsets you like to have in stock **ABLOY^{PROTEC²}** has a protection in the cylinder plug which hold the Controller in place.

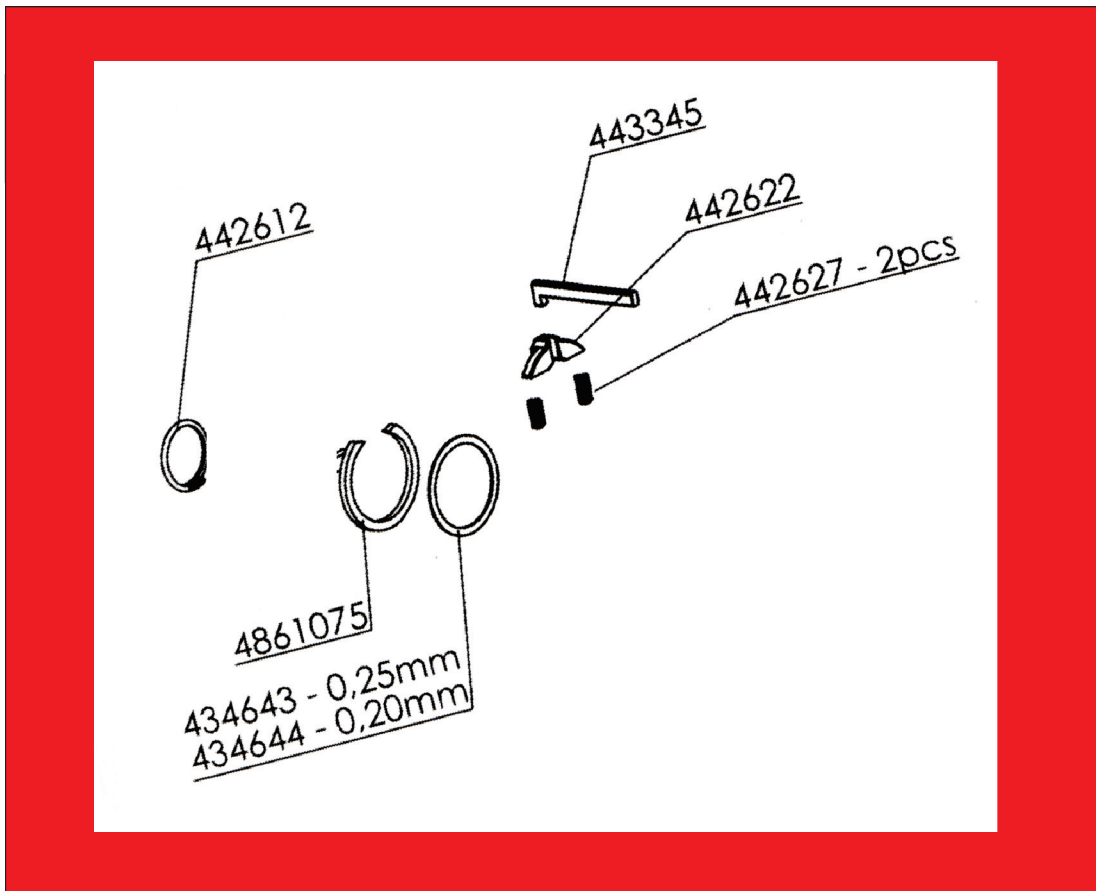
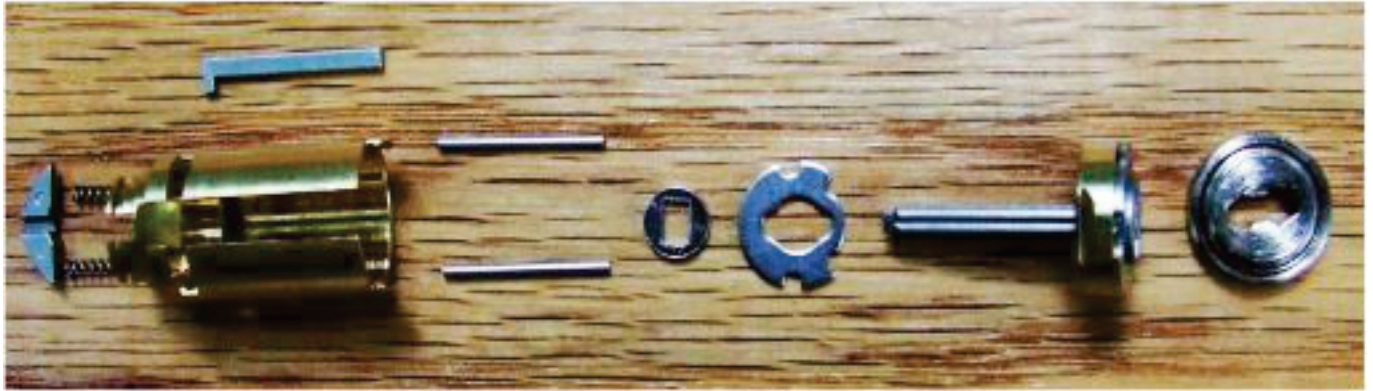


See page 2 and 3 for that information. The Drumset comes with all parts some you place in your keying it. Start the normal way of setting up the plug with all parts needed in the Cylinder Drum, anti Drilling Plate, Driver Plate, 2 Return Bars, plus the combination Disks and Washers according to code. Insert a working key to make sure you did a good job. Insert the Disc Controller. Gently press the Disc Controller in place, you now find out there is no problem if you bring the setup cylinder drum in any position, this unit will not fall apart. Continue with, when is needed more Cylinder Drums for the job at hand. You can even prepare Cylinder Drums in case you need them at a later day. The Cylinder Drums can be ordered for each type of **ABLOY^{PROTEC²}** available, make sure naturally you order for the correct lock.

ABLOY® CY406T (CY-G)

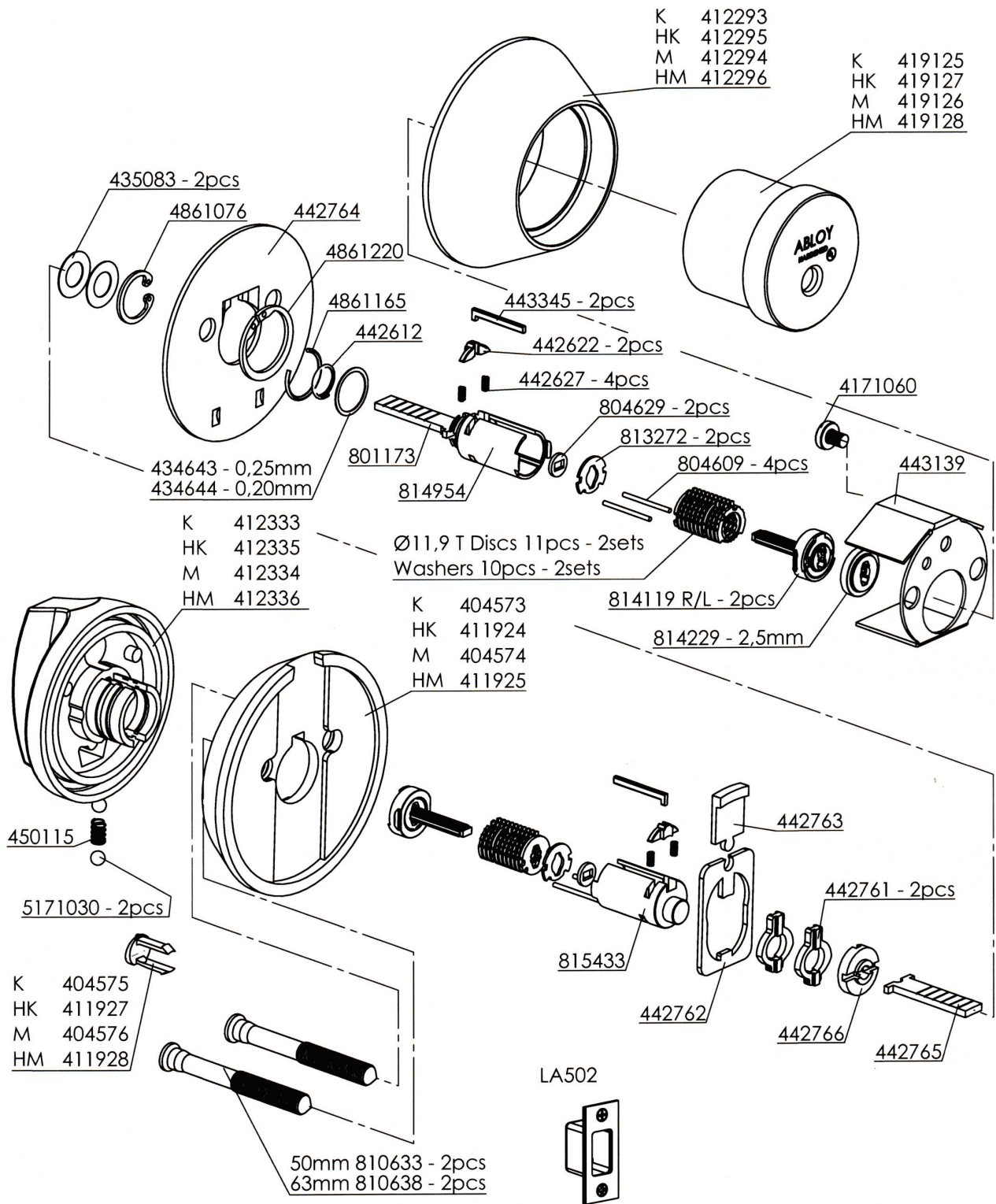


Drumset for CY406T S/A

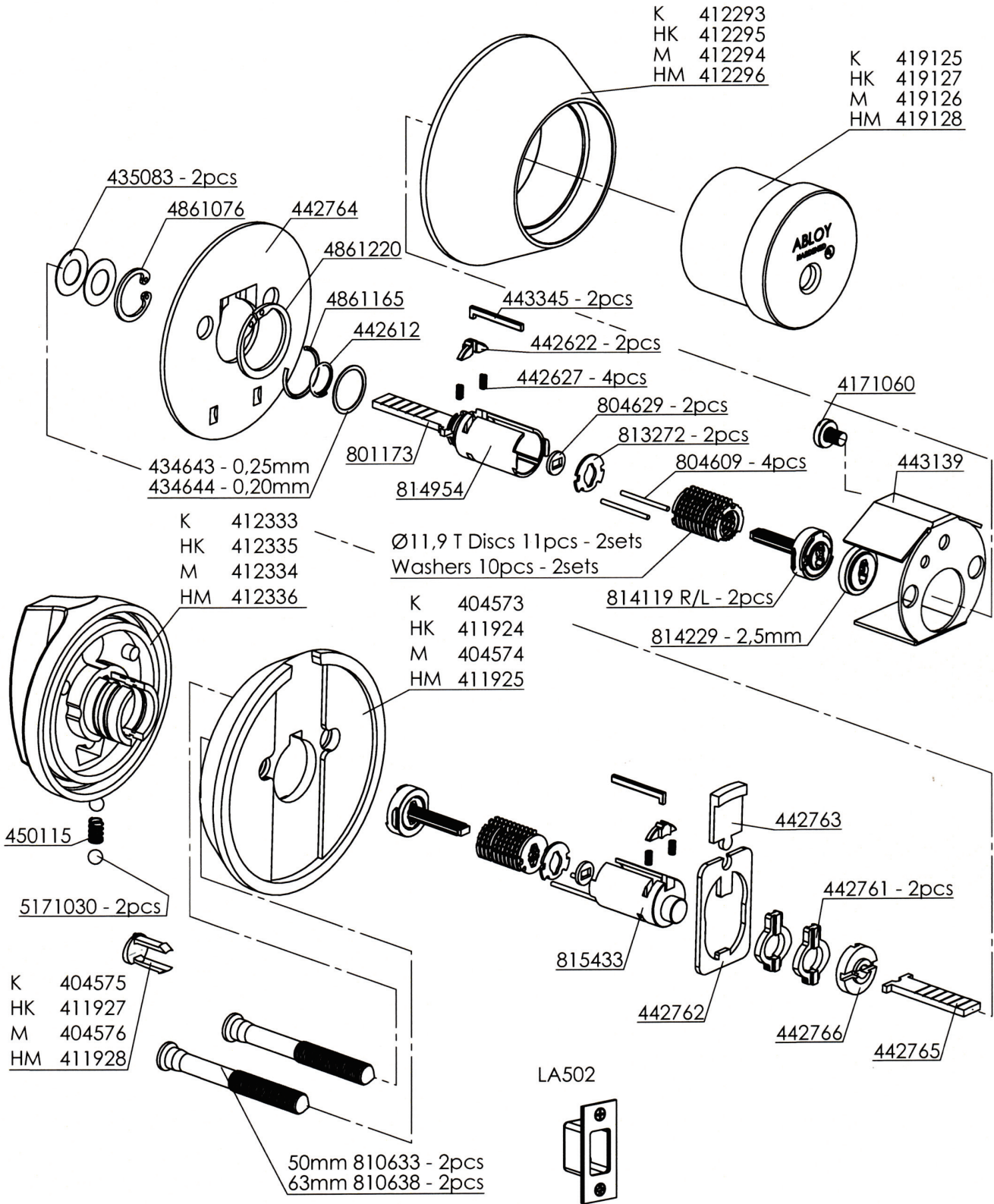


The parts in the red area save those in a new Parts Container, which you can make on your own.

ABLOY® CY413T (CY-G)

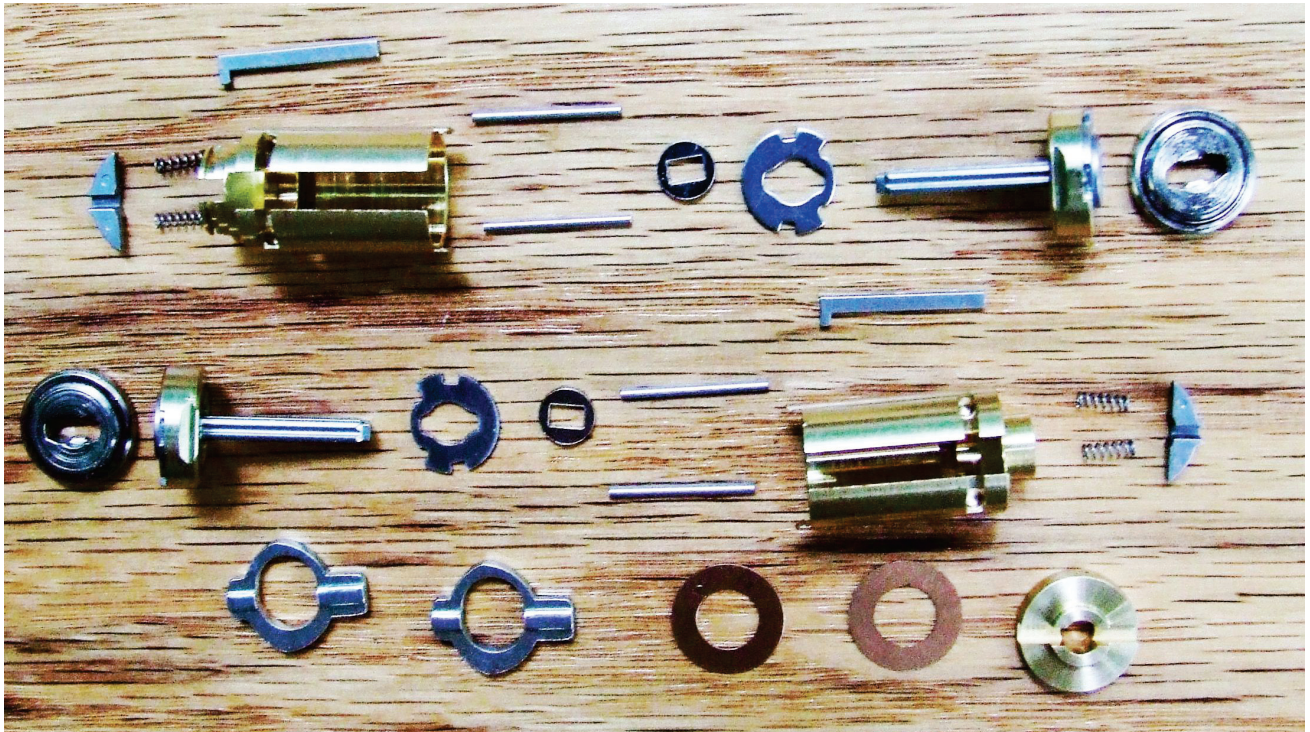


ABLOY® CY413T (CY-G)

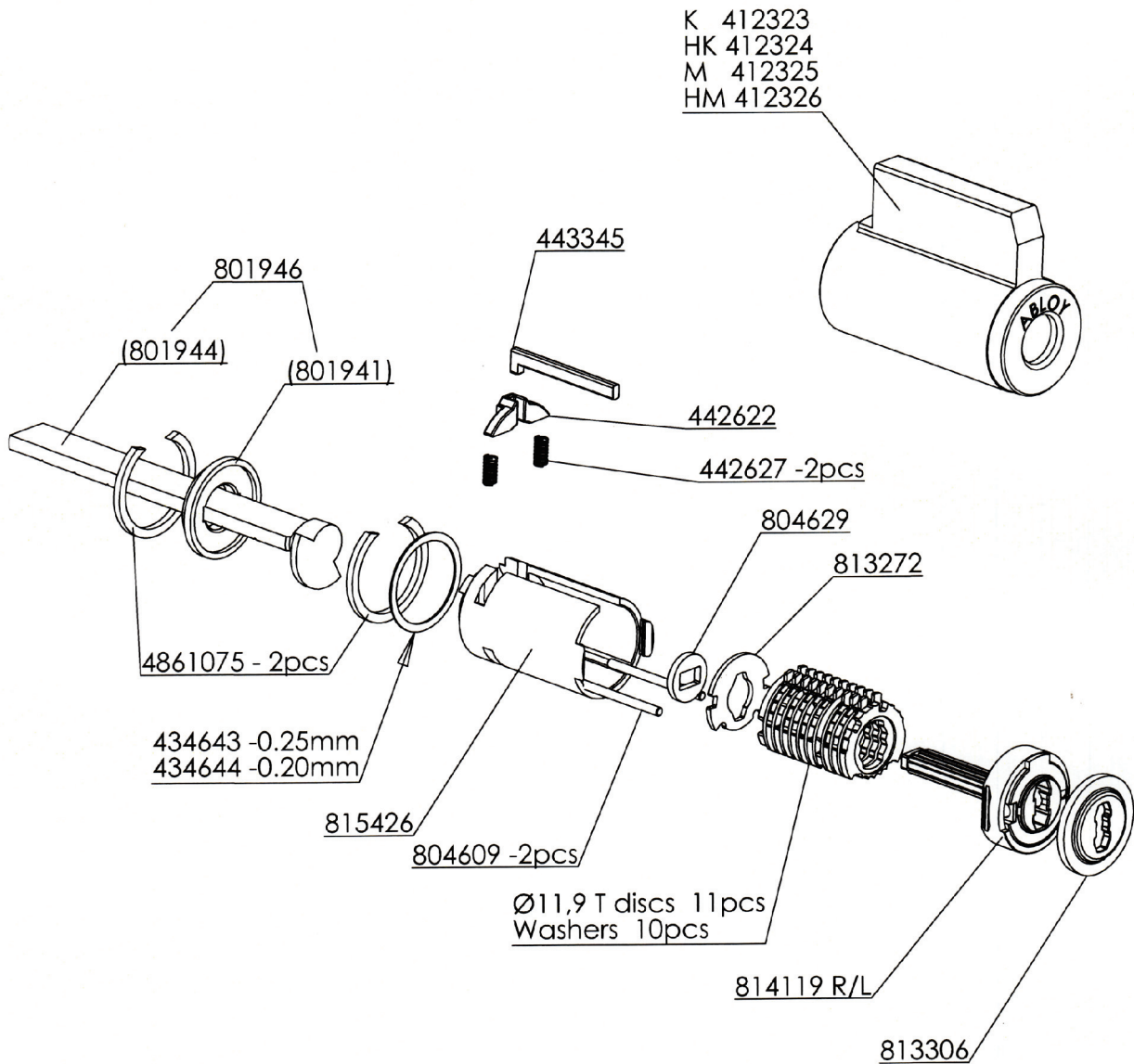


Drumset for ME 155T S/A

Single Cylinder with Lockable Thumbturn



ABLOY® CY410T (CY-G)

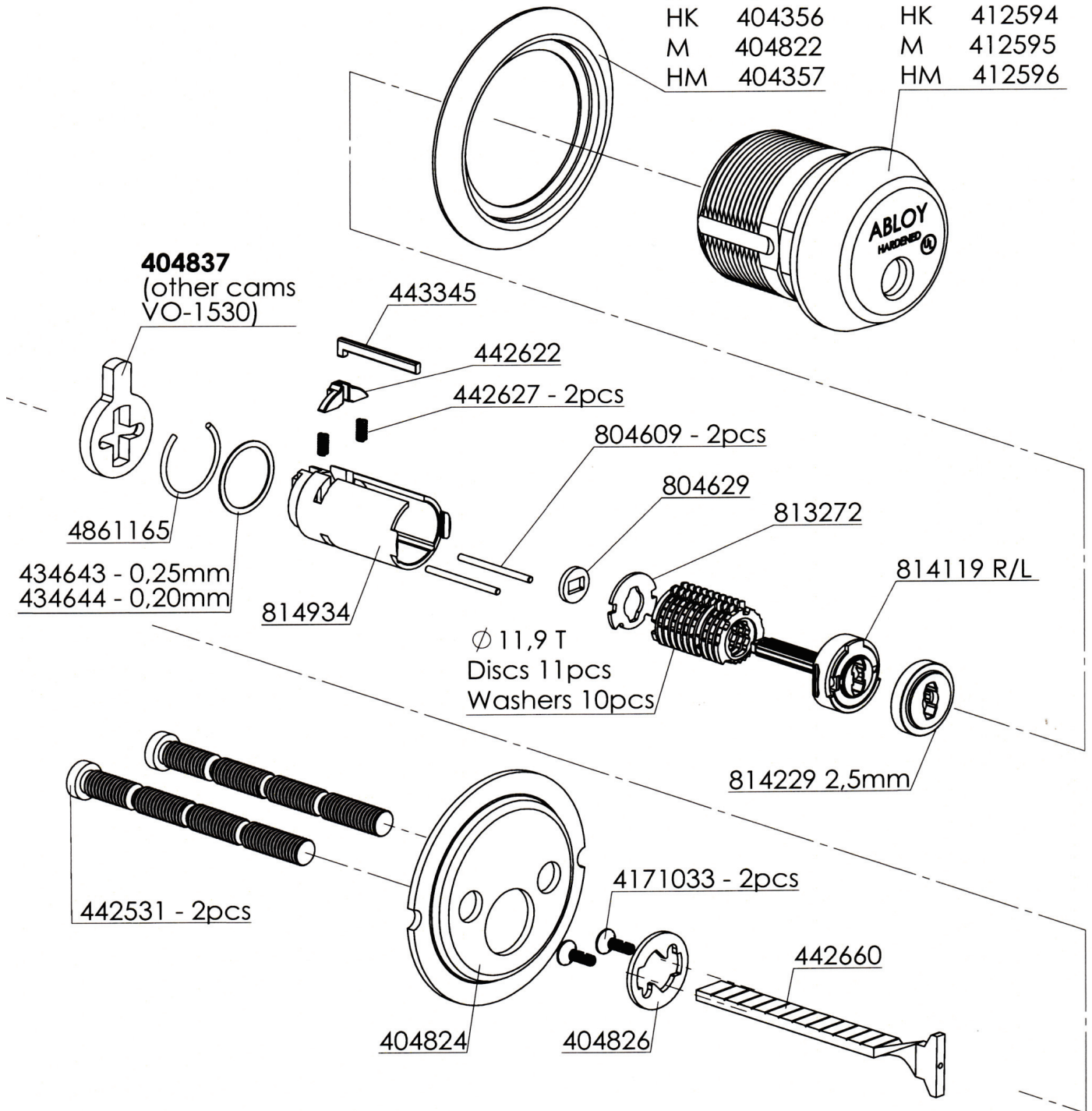


Drumset for CY410T S/A

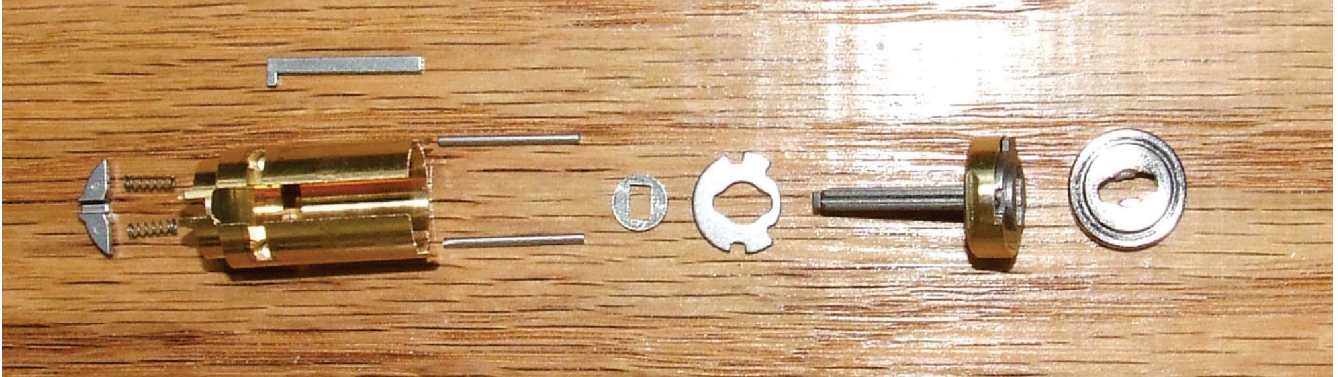


ABLOY® CY415T (CY-G)

K	404820	K	412593
HK	404356	HK	412594
M	404822	M	412595
HM	404357	HM	412596



Drumset for CY415T S/A



Use a small flat screwdriver to release the Controller



Keying the Drumset so it can be used next time when a rekeying is needed on the job.



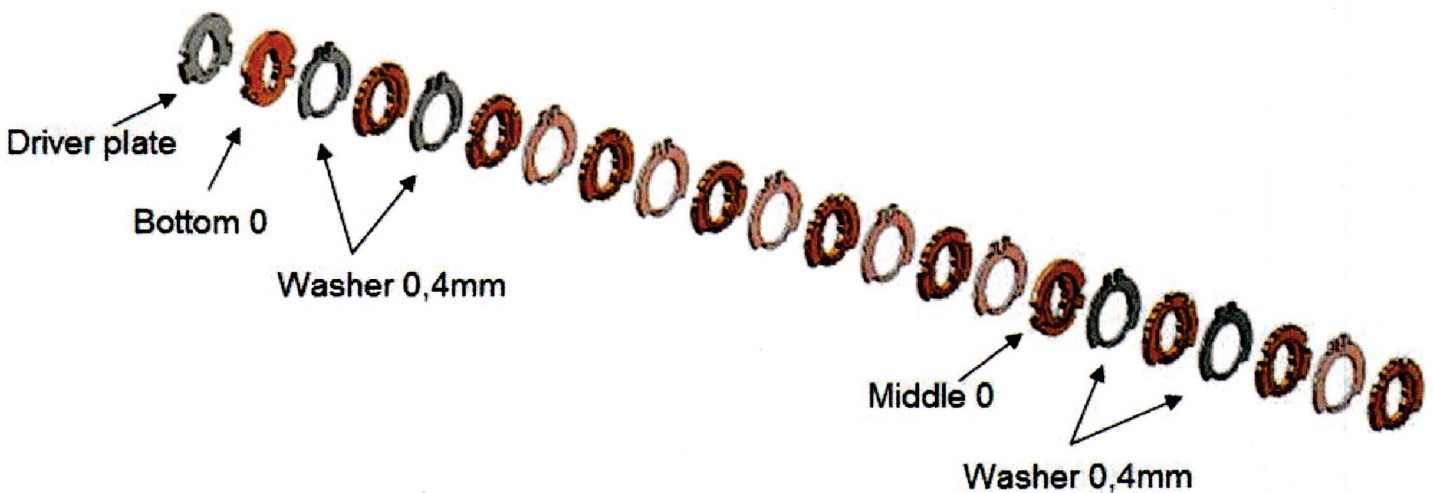
No worries of spilling, drums are in protected mode.



Protec 1, the older version, parts fall out when not careful.

In preparing this article, Sample keys are used. ABLOY Protec uses the same Sample keys for locksmiths. Place the Sample key in the decoder.
Code Card Numbers are; 7451926487
Cutting Numbers are; 6142310523

In **ABLOY^{PROTEC}2** there will be one extra zero disk in front of the combination disks.
The locksmith needs to remember to insert an extra Bottom 0. The middle 0 will be in the 8 position.



Assembly Instructions:

Hold the cylinder drum in your left hand, with the opening for discs pointing up. Place the cylinder drill protection into the recess at the bottom of the cylinder drum.

Use Vaseline (or assembly grease) on each of the two return bars, and place them in the recesses, inside the cylinder drum. Place the driver plate at the bottom of the cylinder drum.

Next, place the bottom O according to key tip in the correct position, at the bottom of the cylinder plug. Make sure this disc is not upside down. Use the new key to make sure it is in the correct position.

Place a bright nickel plate non-rotating isolation washer on top. Place the first combination disc (the number 6 disc) above this, and a bright nickel plate isolation washer next. Place the remaining combination discs and isolation washers according to the bitting combination of the keys. In the 7th (center) combination position, place a middle O disc; place one bright nickel isolation washer above that, then the next combination disc and bright nickel isolation washer.

Place the remaining combination and isolation discs, making sure that the combination discs are flush with the top of the cylinder drum.

If the disc stack is above the top of the cylinder drum, exchange a brass steel plate washer with a "thin" isolation washer. Replace the isolation washers, as necessary, to adjust the disc stack, so that it is flush with the top of the cylinder drum.

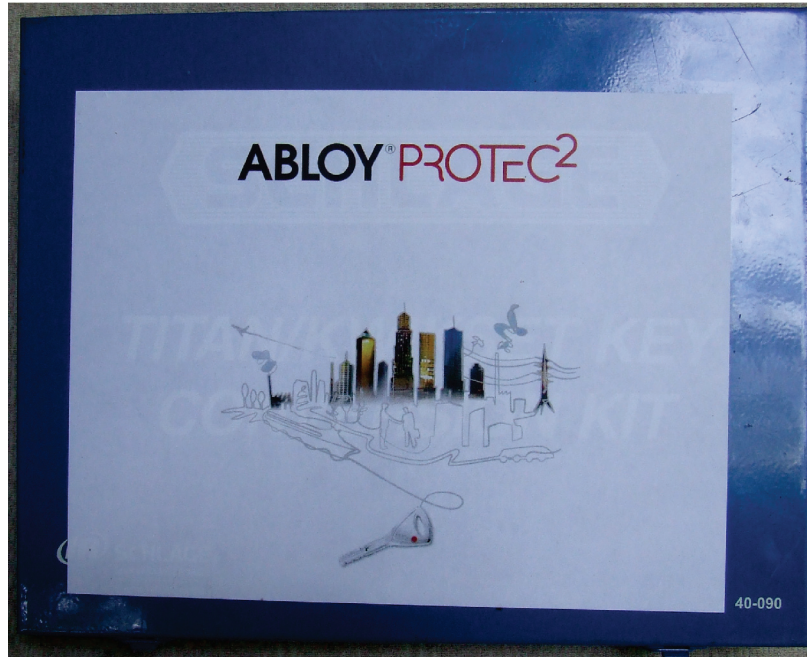
The assembly is now ready to be checked with the new key.

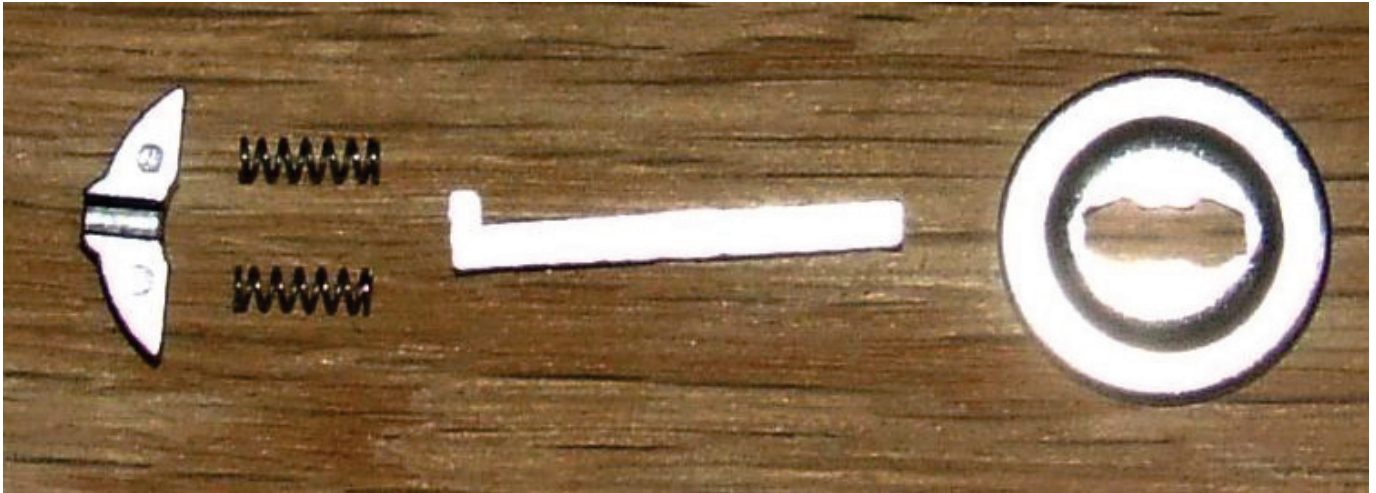
Place the new key into the cylinder plug and rotate the key 90-degrees left or right. Observe the positions of the "gates" in the combination washers. They should align, when the key is rotated 90 degrees left and right of the key pull position.

With the key in the controller, insert into the cylinder drum. When the controller is in the cylinder drum, rotate the key back to the key removal position.

This assembly can be set aside without worry that it will spill the discs and washers.

Start by making you own **ABLOY[®] PROTEC²** Parts Kit. With each Cylinder Drum you collect extra parts plus you have a safe place for your pre-assembled Cylinder Drums.

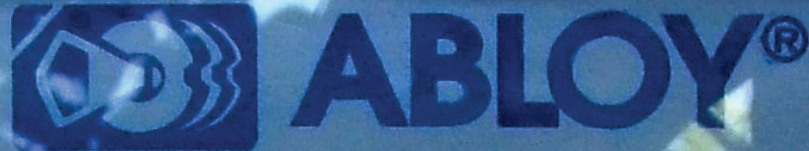




Parts shown above are included when ordering the Cylinder Drums. Put them aside till you are on the job side, or use similar parts from the Cylinder Drum which you are replacing.



If you use a older model for reading the key, the Protec Key will not go all the way in the Reader. Use a small Rat-Tail file and use a couple of strokes. You can look at the left of the two Readers.



ABLOY CANADA INC.

Appreciation Award

Presented To

ARNOLD SINTNICOLAAS SR.

*The Canadian Locksmith
Magazine*

*In Appreciation of
Your Continued Support*

1994

© Copyright 2012
Arnold Sintnicolaas
ABLOY Dealer since 1970
Lock Clinic Inc.
137 Vaughan Road
Toronto Ontario M6C 2L9
tclarsin@rogers.com
416 653-2199

Permission granted by ABLOY Canada